

HRVATSKI  
GLASNIK  
INTELEKTUALNOG  
VLASNIŠTVA

18/2024

30. 8. 2024.

# Objava prijava patenata

(51) MKP (10) [HR P20230166 A1](#)

A61G 5/08 (2006.01)

A61G 7/00 (2006.01)

(21) P20230166A (22) 15.02.2023.

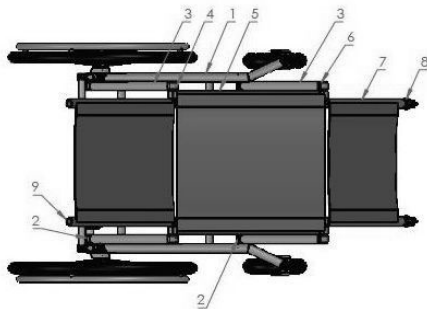
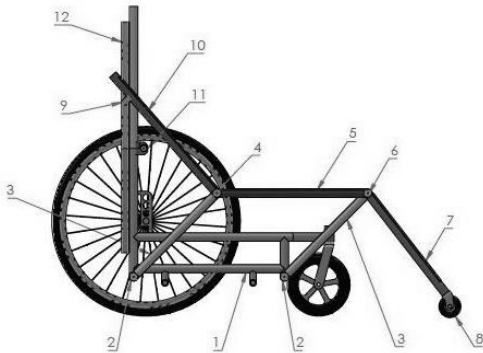
(43) 30.08.2024.

(54) **PRILAGODLJIVA AKTIVNA INVALIDSKA KOLICA**  
ADJUSTABLE ACTIVE WHEELCHAIR

(71)(72) Kristijan Švenda, Kralja Zvonimira 8, Draškovec, 40323 Prelog, HR

(74) Alen Švenda, Prelog, HR

(57) Prilagodljiva aktivna invalidska kolica izložena u ovome opisu sadržavaju nosivu konstrukciju (1) na koju su preko zgloba A (2) povezani vertikalni nosači sjedišta (3), te preko zgloba E (11) preklopna vodilica naslona za leđa (12). Nadalje, cijevni nosač naslona za leđa (10) je zglobom B (4) koaksijalno vezan s vertikalnim nosačem sjedišta (3) i horizontalnim cijevnim nosačem sjedišta (5) na jednom kraju, dok je zglobom D (9) koji se sastoji od osovine okruglog presjeka preko ležaja vezan za preklopnu vodilicu naslona za leđa (12) koja se nalazi na nosivoj konstrukciji kolica (1). Također, cijevni nosač naslona za noge (7) je zglobom C (6) koaksijalno povezan sa horizontalnim cijevnim nosačem sjedišta (5) i prednjim vertikalnim cijevnim nosačem sjedišta (3), dok se na slobodnom kraju naslona za noge nalazi pomoćni kotač manjeg promjera (8), koji prilikom spuštanja dolazi u kontakt s podlogom i omogućava vožnju kolicima čak i u slučaju krajnjeg ležećeg položaja. Pomicanje sjedišta i naslona za leđa, te naslona za noge, odvija se pomoću najmanje jednog elektromotora s reduktorom (13) koji je fiksiran na nosivu konstrukciju kolica (1) i koji primarno zakreće vertikalni cijevni nosač sjedišta (3) oko zgloba A (2) pri čemu istovremeno dolazi do aktivacije svih preostalih zglobnih veza i mehanizama.



# Kazalo brojeva prijave patenata

---

Broj prijave patenta	MKP
-------------------------	-----

---

P20230166A	<b>A61G 5/08</b> (2006.01) <b>A61G 7/00</b> (2006.01)
------------	--

# Kazalo klasifikacijskih oznaka prijava patenata prema Međunarodnoj klasifikaciji патената

---

MKP (51)	Broj prijave patenta (21)	Naziv izuma (54)
<b>A61G 5/08</b> (2006.01)	P20230166A	PRILAGODLJIVA AKTIVNA INVALIDSKA KOLICA ADJUSTABLE ACTIVE WHEELCHAIR
<b>A61G 7/00</b> (2006.01)	P20230166A	PRILAGODLJIVA AKTIVNA INVALIDSKA KOLICA ADJUSTABLE ACTIVE WHEELCHAIR

# Kazalo podnositelja prijava patenata

Podnositelj prijave patenta (71)	MKP (51)	Broj prijave patenta (21)	Naziv izuma (54)
Švenda, Kristijan, HR	<b>A61G 5/08</b> (2006.01) <b>A61G 7/00</b> (2006.01)	P20230166A	PRILAGODLJIVA AKTIVNA INVALIDSKA KOLICA

# Objava prestanaka vrijednosti patenata/konsenzualnih patenata

Broj patenta (11)	MKP (51)	Datum prestanka vrijednosti patenta	Patent objavljen u HGIV-u br.	Naziv izuma (54)
P20070021	<b>A23B 4/005</b> (2006.01)	19.01.2024	10/2009	POSTUPAK PRIPREME BAKALARA NA BIJELO S PRODUŽENOM TRAJNOŠĆU
P20070021	<b>A23B 4/005</b> (2006.01)	19.01.2024	19/2017	POSTUPAK PRIPREME BAKALARA NA BIJELO S PRODUŽENOM TRAJNOŠĆU

# Objava europskih patenata

(51) MKP (10) [HR P20240738 T1](#)  
**A23G 1/00** (2006.01)  
**A23G 1/20** (2006.01)  
**A23G 1/22** (2006.01)  
**A23G 1/50** (2006.01)

(11) P20240738 (46) 30.08.2024.  
(21) P20240738T (22) 31.05.2024.

(86) PCT/EP2020050065 03.01.2020.  
(96) [EP 20700037.3](#) 03.01.2020.  
(87) [WO2020141210](#), 09.07.2020.  
(97) EP 3905887, 10.11.2021. 202145, Fr  
(97) EP 3905887, 13.03.2024. 202411, Fr  
(31) 201905002 (32) 03.01.2019. (33) BE

(54) **KALUP ZA BILJNE MASTI I NJEGOVA UPORABA**  
**MOULD FOR VEGETABLE FATS AND USE OF SAME**

(73)(72) Guy van Cruchten, Chemin des Cavaliers 53, 1780 Wemmel, BE  
(74) Sandra Russo Zelenović, Split, HR

(51) MKP (10) [HR P20240692 T1](#)  
**A24F 40/40** (2020.01)  
**A24F 40/95** (2020.01)

(11) P20240692 (46) 30.08.2024.  
(21) P20240692T (22) 23.05.2024.

(86) PCT/IB2021059034 01.10.2021.  
(96) [EP 21810092.3](#) 01.10.2021.  
(87) [WO2022074524](#), 14.04.2022.  
(97) EP 4041008, 17.08.2022. 202233, En  
(97) EP 4041008, 06.03.2024. 202410, En  
(31) 202000005584 U (32) 05.10.2020. (33) IT

(54) **APARAT ZA STVARANJE PARE ZAGRIJAVANJEM**  
**KEMIJSKOG SPOJA ILI DUHANA**  
**APPARATUS FOR GENERATING VAPOUR BY HEATING A**  
**CHEMICAL COMPOUND OR TOBACCO**

(73) Vapour International d.o.o., Digitronska Ulica 2, 52460 Buje (Buie), HR  
(72) Mattia Sparacino, 52460 Buje (Buie), HR  
(74) Marin Karuza, Zagreb, HR

(51) MKP (10) [HR P20240727 T1](#)  
**A43B 1/04** (2022.01)  
**A43B 23/02** (2006.01)  
**A43B 23/04** (2006.01)  
**D04B 1/12** (2006.01)

(11) P20240727 (46) 30.08.2024.  
(21) P20240727T (22) 29.05.2024.

(86) PCT/EP2020062769 07.05.2020.  
(96) [EP 20729950.4](#) 07.05.2020.  
(87) [WO2020244884](#), 10.12.2020.  
(97) EP 3975780, 06.04.2022. 202214, En  
(97) EP 3975780, 01.05.2024. 202418, En  
(31) 201900007821 (32) 03.06.2019. (33) IT

(54) **GORNJIŠTE ZA CIPELE I POSTUPAK IZRADE GORNJIŠTA**  
**UPPER AND METHOD FOR THE MANUFACTURE OF AN UPPER**

(73) Lonati S.p.A., Via Francesco Lonati 3, 25124 Brescia, IT  
(72) Ettore Lonati, Via Sott'Acqua 32, 25082 Botticino, IT  
Fausto Lonati, Via Mediana, 12, 25123 Brescia, IT  
Francesco Lonati, Via S. Giovanni, 23, 25010 San Felice Del Benaco, IT  
(74) PETOŠEVIĆ d.o.o., Zagreb, HR

(51) MKP (10) [HR P20240607 T1](#)  
**A61G 13/12** (2006.01)

(11) P20240607 (46) 30.08.2024.  
(21) P20240607T (22) 06.05.2024.

(86) PCT/IB2021059511 15.10.2021.  
(96) [EP 21806346.9](#) 15.10.2021.  
(87) [WO2022084815](#), 28.04.2022.  
(97) EP 4125767, 08.02.2023. 202306, En  
(97) EP 4125767, 07.02.2024. 202406, En  
(31) 202000024568 (32) 19.10.2020. (33) IT

(54) **POTPORNNA NAPRAVA U OBLIKU PODLOGE, UGLAVNOM ZA**  
**UPORABU NA MEDICINSKOM KREVETU**  
**SUPPORT DEVICE IN FORM OF A PAD, MAINLY FOR USE**  
**ONTO A MEDICAL BED**

(73) AB Medica S.p.A., Via Felice Casati 1/a, 20124 Milano (MI), IT  
(72) Carlambrogio Bianchi, 20124 Milano Mi, IT  
Diego Casati, 20124 Milano Mi, IT  
Cristiano Bettinelli, 20124 Milano Mi, IT  
(74) PETOŠEVIĆ d.o.o., Zagreb, HR

(51) MKP (10) [HR P20240688 T1](#)  
**A61K 31/138** (2006.01)  
**A61K 31/439** (2006.01)  
**A61K 45/06** (2006.01)  
**A61P 11/06** (2006.01)  
**A61P 11/08** (2006.01)

(11) P20240688 (46) 30.08.2024.  
(21) P20240688T (22) 22.05.2024.

(96) [EP 17206132.7](#) 29.11.2010.  
(97) EP 3335707, 20.06.2018. 201825, En  
(97) EP 3335707, 17.04.2024. 202416, En  
(31) 0921075 (32) 01.12.2009. (33) GB  
(62) 10781527.6 ; 29.11.2010.

(54) **KOMBINACIJE ANTAGONISTA MUSKARINSKIH RECEPTORA I**  
**AGONISTA BETA-2 ADRENORECEPTORA**  
**COMBINATIONS OF A MUSCARINIC RECEPTOR ANTAGONIST**  
**AND A BETA-2 ADRENORECEPTOR AGONIST**

(73) GLAXO GROUP LIMITED, GSK Medicines Research Centre, Gunnels Wood Road, SG1 2NY Stevenage, GB  
(72) Darrell Baker, GlaxoSmithKline, Ironbridge Road, UB11 1BS Uxbridge, Middlesex, GB  
Mark Bruce, GlaxoSmithKline, Gunnels Wood Road, SG1 2NY Stevenage, Hertfordshire, GB  
Glenn Crater, GlaxoSmithKline, P.O. Box 13398, Five Moore Drive, Research Triangle Park, NC 27709-3398, US  
Brian Noga, GlaxoSmithKline, P.O. Box 13398, Five Moore Drive, Research Triangle Park, NC 27709-3398, US  
Marian Thomas, GlaxoSmithKline, Park Road, SG12 0DJ Ware, Hertfordshire, GB  
Patrick Wire, GlaxoSmithKline, P.O. Box 13398, Five Moore Drive, Research Triangle Park, NC 27709-3398, US  
(74) ZMP IP d.o.o., Zagreb, HR

(51) MKP (10) [HR P20240400 T1](#)  
**A61K 31/37** (2006.01)  
**A61K 31/573** (2006.01)  
**A61P 35/04** (2006.01)  
**A61P 35/00** (2006.01)

(11) P20240400 (46) 30.08.2024.  
(21) P20240400T (22) 21.03.2024.

(86) PCT/EP2018062805 16.05.2018.  
(96) [EP 18724892.7](#) 16.05.2018.  
(87) [WO2019096449](#), 23.05.2019.  
(97) EP 3709996, 23.09.2020. 202039, En  
(97) EP 3709996, 28.02.2024. 202409, En  
(31) PCT/EP2017/079506 (32) 16.11.2017. (33) WO

(54) **DERIVAT KUMARINA, NAMIJENJENI TERAPIJI ILI PROFILAKSI**  
**POREMEČAJA STANIČNE PROLIFERACIJE**  
**COUMARIN DERIVATIVE FOR THERAPY OR PROPHYLAXIS OF**  
**A CELL PROLIFERATIVE DISORDER**

- (73) The Institute of Cancer Research: Royal Cancer Hospital, 123 Old Brompton Road, SW7 3RP London, GB  
The Royal Marsden NHS Foundation Trust, Fulham Road, SW3 6JJ London, GB
- (72) Udai Banerji, c/o The Institute of Cancer Research: Royal Cancer Hospital, 123 Old Brompton Road, SW7 3RP London, GB
- (74) Hraste & Partneri odvjetničko društvo d.o.o., Zagreb, HR

- Martina Morokutti-Kurz, 1130 Wien, AT  
Philipp Graf, 2100 Korneuburg, AT
- (74) Danija Budimir, Zagreb, HR

**HR P20240743 T1**

- (51) MKP (10)
- A61K 31/506** (2006.01)  
**C07D 263/08** (2006.01)  
**C07D 487/04** (2006.01)
- (11) P20240743 (46) 30.08.2024.  
(21) P20240743T (22) 04.06.2024.
- (86) PCT/IB2019059677 11.11.2019.  
(96) [EP 19885791.4](#) 11.11.2019.  
(87) [WO2020100011](#), 22.05.2020.  
(97) EP 3880204, 22.09.2021. 202138, En  
(97) EP 3880204, 15.05.2024. 202420, En
- (31) 201862760995 P (32) 14.11.2018. (33) US
- (54) **POBOLJŠANI SINTETIČKI POSTUPCI ZA PROIZVODNJU FUZIJSKIH HETEROCIKLIČKIH SPOJEVA KAO MODULATORA OREKSINSKIH RECEPTORA**  
IMPROVED SYNTHETIC METHODS OF MAKING FUSED HETEROCYCLIC COMPOUNDS AS OREXIN RECEPTOR MODULATORS
- (73) Janssen Pharmaceutica N.V., Turnhoutseweg 30, 2340 Beerse, BE
- (72) Dominique Paul Michel Depré, Turnhoutseweg 30, 2340 Beerse, BE  
Kiran Matcha, Turnhoutseweg 30, 2340 Beerse, BE  
Andy Josephina Joannes Huygaerts, Turnhoutseweg 30, 2340 Beerse, BE  
Luc Jozef Raphael Moens, Turnhoutseweg 30, 2340 Beerse, BE  
Dinesh Gala, 920 US Route 202, P.O. BOX 300, Raritan, NJ 08869, US
- (74) Vukmir i suradnici odvjetničko društvo d.o.o., Zagreb, HR

**HR P20240728 T1**

- (51) MKP (10)
- A61K 31/55** (2006.01)  
**A61K 31/675** (2006.01)  
**A61K 38/05** (2006.01)  
**A61P 27/02** (2006.01)  
**A61K 31/683** (2006.01)
- (11) P20240728 (46) 30.08.2024.  
(21) P20240728T (22) 29.05.2024.
- (86) PCT/PL2019000012 31.01.2019.  
(96) [EP 19747023.0](#) 31.01.2019.  
(87) [WO2019151882](#), 08.08.2019.  
(97) EP 3746106, 09.12.2020. 202050, En  
(97) EP 3746106, 27.03.2024. 202413, En
- (31) 42445218 (32) 31.01.2018. (33) PL
- (54) **INHIBITORI NEUTRALNE ENDOPEPTIDAZE (NEP) I HUMANE TOPLJIVE ENDOPEPTIDAZE (HSEP) ZA PROFILAKSU I LJEČENJE BOLESTI OKA**  
NEUTRAL ENDOPEPTIDASE (NEP) AND HUMAN SOLUBLE ENDOPEPTIDASE (HSEP) INHIBITORS FOR PROPHYLAXIS AND TREATMENT OF EYE DISEASES
- (73)(72) Christopher Turski, Stary Rynek 40, 24-300 Opole Lubelskie, PL
- (74) Marin Karuza, Zagreb, HR

**HR P20240712 T1**

- (51) MKP (10)
- A61K 31/731** (2006.01)  
**A61P 31/14** (2006.01)
- (11) P20240712 (46) 30.08.2024.  
(21) P20240712T (22) 27.05.2024.
- (86) PCT/EP2021069238 09.07.2021.  
(96) [EP 21742124.7](#) 09.07.2021.  
(87) [WO2022013113](#), 20.01.2022. , En  
(97) EP 4181933, 24.05.2023. 202321, En  
(97) EP 4181933, 17.04.2024. 202416, En
- (31) 20186334 (32) 16.07.2020. (33) EP
- (54) **ANTIVIRUSNI FARMACEUTSKI PRIPRAVAK KOJI SADRŽI NAJMANJE JEDAN SULFATIRANI POLISAHARID**  
ANTIVIRAL PHARMACEUTICAL COMPOSITION COMPRISING AT LEAST ONE SULPHATE POLYSACCHARIDE
- (73) Marinomed Biotech AG, Hovengasse 25, 2100 Korneuburg, AT
- (72) Eva Prieschl-Grassauer, 1210 Wien, AT  
Andreas Grassauer, 1210 Wien, AT

**HR P20240714 T1**

- (51) MKP (10)
- A61K 39/395** (2006.01)  
**A61P 35/00** (2006.01)  
**C07K 16/18** (2006.01)  
**C12P 21/08** (2006.01)  
**A61K 47/68** (2017.01)  
**A61K 47/69** (2017.01)  
**A61K 39/00** (2006.01)  
**C07K 16/30** (2006.01)  
**A61K 35/17** (2015.01)  
**A61K 45/06** (2006.01)
- (11) P20240714 (46) 30.08.2024.  
(21) P20240714T (22) 28.05.2024.
- (86) PCT/US2016060974 08.11.2016.  
(96) [EP 16864859.0](#) 08.11.2016.  
(87) [WO2017083296](#), 18.05.2017.  
(97) EP 3373968, 19.09.2018. 201838, En  
(97) EP 3373968, 17.04.2024. 202416, En
- (31) 201562253000 P (32) 09.11.2015. (33) US
- (54) **GLIPIKAN 2 KAO MARKER RAKA I TERAPIJSKI CILJ**  
GLYPICAN 2 AS A CANCER MARKER AND THERAPEUTIC TARGET
- (73) The Children's Hospital of Philadelphia, 3401 Civic Center Boulevard, Philadelphia, PA 19104, US  
The Government of the United States of America as represented by the Secretary of the Department of Health and Human Services, Office of Technology Transfer, 6011 Executive Boulevard, Suite 325, Rockville, MD 20852-3804, US
- (72) John M. Maris, c/o Children's Hospital of Philadelphia, 3060 CTRB, 2501 Civic Center Blvd., Philadelphia, PA 19104, US  
Kristopher R. Bosse, c/o Children's Hospital of Philadelphia, 3060 CTRB, 2501 Civic Center Blvd., Philadelphia, PA 19104, US  
Dimitar Dimitrov, c/o NCI NIH, 567/152 CIP, NCI-Frederick, Frederick, MD 21702, US  
Zhongyu Zhu, c/o NCI Frederick, Bldg. 567 Room 180, Frederick, MD 21702, US  
Dontcho V. Jeleu, 14012 Arctic Ave., Rockville, MD 20853, US
- (74) PRODUCTA d.o.o., Zagreb, HR

**HR P20240705 T1**

- (51) MKP (10)
- A61K 47/64** (2017.01)  
**A61P 21/00** (2006.01)
- (11) P20240705 (46) 30.08.2024.  
(21) P20240705T (22) 27.05.2024.
- (96) [EP 22180767.0](#) 14.12.2017.  
(97) EP 4122497, 25.01.2023. 202304, En  
(97) EP 4122497, 10.04.2024. 202415, En
- (31) 201662436199 P (32) 19.12.2016. (33) US  
201762443481 P 06.01.2017. US  
20176279177 P 30.03.2017. US  
201762562119 P 22.09.2017. US
- (62) 17832405.9 ; 14.12.2017.
- (54) **OLIGOMERNI KONJUGATI KOJI PRESKAČU EGZON ZA MIŠIČNU DISTROFIJU**  
EXON SKIPPING OLIGOMER CONJUGATES FOR MUSCULAR DYSTROPHY
- (73) Sarepta Therapeutics, Inc., 215 First Street, Suite 415, Cambridge, MA 02142, US
- (72) Marco A. Passini, Cambridge, MA 02142, US  
Gunnar J. Hanson, Cambridge, 02142, Cambridge, US
- (74) PRODUCTA d.o.o., Zagreb, HR

**HR P20240724 T1**

- (51) MKP (10)
- A61K 47/69** (2017.01)  
**A61K 38/07** (2006.01)  
**B82Y 5/00** (2011.01)  
**A61P 35/00** (2006.01)
- (11) P20240724 (46) 30.08.2024.  
(21) P20240724T (22) 29.05.2024.
- (96) [EP 13167148.9](#) 08.05.2013.  
(97) EP 2662094, 13.11.2013. 201346, En  
(97) EP 2662094, 17.04.2024. 202416, En
- (31) 201261644122 P (32) 08.05.2012. (33) US  
201361777475 P 12.03.2013. US



(54)	<b>POSTUPCI KOMPLEKSIRANJA CIKLODEKSTRINA ZA FORMULIRANJE PEPTIDNIH INHIBITORA PROTEASOMA</b> CYLODEXTRIN COMPLEXATION METHODS FOR FORMULATING PEPTIDE PROTEASOME INHIBITORS	202163282356 P	23.11.2021.	US
(73)	Onyx Therapeutics, Inc., One Amgen Center Drive, Thousand Oaks, CA 91320-1799, US	(62)	22748656.0 ; 08.07.2022.	
(72)	Evan Lewis, 631 Miller Ave, Pacifica, CA 64044, US Peter Shwonek, 436 Capistrano Ave, San Francisco, CA 94112, US Sean Dalziel, 400 Beale Street, Apt. 1901, San Francisco, CA 94105, US Mouhannad Jumaa, 363 Catamaran St, Foster City, CA 94404, US	(54)	<b>PRIPRAVCI, POSTUPCI I SUSTAVI ZA OTPUŠTANJE AEROSOLNE DJELATNE TVARI</b> COMPOSITIONS, METHODS AND SYSTEMS FOR AEROSOL DRUG DELIVERY	
(74)	PRODUCTA d.o.o., Zagreb, HR	(73)	AstraZeneca Pharmaceuticals LP, 1800 Concord Pike, Wilmington, DE 19850, US	
(51)	MKP (10) <b>HR P20240689 T1</b> <b>A61K 9/00</b> (2006.01) <b>A61K 9/10</b> (2006.01) <b>A61K 31/519</b> (2006.01) <b>A61K 47/26</b> (2006.01) <b>A61P 25/18</b> (2006.01)	(72)	Vidya Joshi, South San Francisco, CA 94080, US James Archbell, South San Francisco, CA 94080, US Kellisa Lachacz, South San Francisco, CA 94080, US Charina Lampa, South San Francisco, CA 94080, US Lauren Mello, Durham, NC 27703, US Gertrude Gutierrez, South San Francisco, CA 94080, US David Lechuga-Ballesteros, South San Francisco, CA 94080, US Penny Tan, South San Francisco, CA 94080, US Michael Riebe, South San Francisco, CA 94080, US	
(11)	P20240689 (46) 30.08.2024.	(74)	CPZ - CENTAR ZA PATENTE d.o.o., Zagreb, HR	
(21)	P20240689T (22) 23.05.2024.			
(96)	<a href="#">EP 21210307.1</a> 24.11.2021.			
(97)	EP 4005555, 01.06.2022. 202222, En			
(97)	EP 4005555, 15.05.2024. 202420, En			
(31)	202063119305 P (32) 30.11.2020. (33) US 202163237883 P 27.08.2021. US			
(54)	<b>POSTUPCI ZA OSIGURAVANJE PONOVNE SUSPENZIJE FORMULACIJA PALIPERIDON PALMITATA</b> METHODS FOR ENSURING RESUSPENSION OF PALIPERIDONE PALMITATE FORMULATIONS	(51)	MKP (10) <b>HR P20240731 T1</b> <b>A61M 5/162</b> (2006.01) <b>A61M 5/158</b> (2006.01) <b>A61M 5/32</b> (2006.01)	
(73)	Janssen Pharmaceutica NV, Turnhoutseweg 30, 2340 Beerse, BE	(11)	P20240731 (46) 30.08.2024.	
(72)	Peter D'Hoore, 2340 Beerse, BE Ignace Wallaert, 2340 Beerse, BE Jimmy Nguyen, Milpitas, US Frank Meeussen, 2340 Beerse, BE Srihari Gopal, Titusville, US	(21)	P20240731T (22) 29.05.2024.	
(74)	Vukmir i suradnici odvjetničko društvo d.o.o., Zagreb, HR	(86)	PCT/CN2016106819 22.11.2016.	
		(96)	<a href="#">EP 16867960.3</a> 22.11.2016.	
		(87)	<a href="#">WO2017088737</a> , 01.06.2017.	
		(97)	EP 3269411, 17.01.2018. 201803, En	
		(97)	EP 3269411, 06.03.2024. 202410, En	
		(31)	201510818147 (32) 23.11.2015. (33) CN 201520939839 U 23.11.2015. CN 201610531579 07.07.2016. CN	
		(54)	<b>UREĐAJ ZA UBOD IGLOM</b> NEEDLE PUNCTURE DEVICE	
		(73)	Gemtier Medical (Shanghai) Inc., No. 18 Jianding Road, Fengjing Town, Jinshan District, 201502 Shanghai, CN	
		(72)	Yaling Mao, No. 18 Jianding Road Fengjing Town Jinshan District, 201502 Shanghai, CN	
		(74)	Tomislav Hadžija, Zagreb, HR	
(51)	MKP (10) <b>HR P20240716 T1</b> <b>A61K 9/00</b> (2006.01)	(51)	MKP (10) <b>HR P20240479 T1</b> <b>B26D 7/01</b> (2006.01) <b>B26D 7/06</b> (2006.01) <b>B26D 7/20</b> (2006.01)	
(11)	P20240716 (46) 30.08.2024.	(11)	P20240479 (46) 30.08.2024.	
(21)	P20240716T (22) 28.05.2024.	(21)	P20240479T (22) 05.04.2024.	
(86)	PCT/US2022036542 08.07.2022.	(86)	PCT/FR2021050407 10.03.2021.	
(96)	<a href="#">EP 22751897.4</a> 08.07.2022.	(96)	<a href="#">EP 21716799.8</a> 10.03.2021.	
(87)	<a href="#">WO2023283438</a> , 12.01.2023.	(87)	<a href="#">WO2021191522</a> , 30.09.2021.	
(97)	EP 4175620, 10.05.2023. 202319, En	(97)	EP 4096885, 07.12.2022. 202249, Fr	
(97)	EP 4175620, 10.04.2024. 202415, En	(97)	EP 4096885, 21.02.2024. 202408, Fr	
(31)	202163220362 P (32) 09.07.2021. (33) US 202163282356 P 23.11.2021. US	(31)	2003043 (32) 27.03.2020. (33) FR	
(54)	<b>PRIPRAVCI, POSTUPCI I SUSTAVI ZA OTPUŠTANJE AEROSOLNE DJELATNE TVARI</b> COMPOSITIONS, METHODS AND SYSTEMS FOR AEROSOL DRUG DELIVERY	(54)	<b>MODULARNI POTPORNI ELEMENT ZA USISNO REZANJE U AUTOMATSKOM STROJU ZA REZANJE TANKOG MATERIJALA</b> MODULAR ELEMENT FOR SUCTION CUTTING BED IN AN AUTOMATIC MACHINE FOR CUTTING SHEET MATERIAL	
(73)	AstraZeneca Pharmaceuticals LP, 1800 Concord Pike, Wilmington, DE 19850, US	(73)	Lectra, 16 18 Rue Chalgrin, 75016 Paris, FR AMVALOR, 151 boulevard de l'Hôpital, 75013 Paris, FR Centre National de la Recherche Scientifique, 3, rue Michel Ange, 75016 Paris, FR Conservatoire National des Arts et Métiers, 292, Rue Saint-Martin, 75003 Paris, FR Ecole Nationale Supérieure d'Arts et Métiers (ENSAM), 151 boulevard de l'Hopital, 75013 Paris, FR	
(72)	Vidya Joshi, San Francisco, CA 94080, US James Archbell, San Francisco, CA 94080, US Kellisa Lachacz, San Francisco, CA 94080, US Charina Lampa, San Francisco, CA 94080, US Lauren Mello, Durham, NC 27703, US Gertrude Gutierrez, San Francisco, CA 94080, US David Lechuga-Ballesteros, San Francisco, CA 94080, US Penny Tan, San Francisco, CA 94080, US Michael Riebe, San Francisco, CA 94080, US	(72)	Didier Chabirand, 117, avenue du Maréchal de Lattre de Tassigny, 33610 Cestas, FR Régis Lallement, 23, allée des Galips, 33610 Cestas, FR Gilles Regnier, 94240 L'Hay-Les-Roses, FR Ghailen Ben Ghorbal, 33140 Villenave d'Ornon, FR	
(74)	CPZ - CENTAR ZA PATENTE d.o.o., Zagreb, HR	(74)	ZMP IP d.o.o., Zagreb, HR	
(51)	MKP (10) <b>HR P20240725 T1</b> <b>A61K 9/00</b> (2006.01) <b>A61K 31/167</b> (2006.01) <b>A61K 31/40</b> (2006.01) <b>A61K 31/58</b> (2006.01) <b>A61P 1/00</b> (2006.01)	(51)	MKP (10) <b>HR P20240745 T1</b> <b>B29C 73/10</b> (2006.01)	
(11)	P20240725 (46) 30.08.2024.	(11)	P20240745 (46) 30.08.2024.	
(21)	P20240725T (22) 29.05.2024.	(21)	P20240745T (22) 04.06.2024.	
(96)	<a href="#">EP 23155432.0</a> 08.07.2022.	(86)	PCT/EP2021061586 03.05.2021.	
(97)	EP 4197528, 21.06.2023. 202325, En			
(97)	EP 4197528, 03.04.2024. 202414, En			
(31)	202163220362 P (32) 09.07.2021. (33) US			

- (96) [EP 21724229.6](#) 03.05.2021.  
 (87) [WO2021249697](#), 16.12.2021.  
 (97) EP 4161765, 12.04.2023. 202315, De  
 (97) EP 4161765, 10.04.2024. 202415, De  
 (31) 102020207204 (32) 09.06.2020. (33) DE  
 (54) **ZAKRPA ZA POPRAVK ELASTOMERNE KOMPONENTE S POBOLJŠANIM SPOJNIM SLOJEM**  
 REPAIR PATCH FOR AN ELASTOMER COMPONENT WITH AN IMPROVED CONNECTION LAYER  
 (73) Rema Tip Top AG, Gruber Str. 65, 85586 Poing, DE  
 (72) Christian Casper, 85229 Markt Indersdorf, DE  
 Florian Kinzl, 85652 Pliening, DE  
 Sylvia Mücke, 85457 Würth, DE  
 (74) ZMP IP d.o.o., Zagreb, HR

- (51) MKP (10) [HR P20240711 T1](#)  
**B63B 59/08** (2006.01)  
 (11) P20240711 (46) 30.08.2024.  
 (21) P20240711T (22) 27.05.2024.  
 (86) PCT/EP2020060865 17.04.2020.  
 (96) [EP 20720790.3](#) 17.04.2020.  
 (87) [WO2020229091](#), 19.11.2020. , En  
 (97) EP 3966104, 16.03.2022. 202211, En  
 (97) EP 3966104, 28.02.2024. 202409, En  
 (31) 20190599 (32) 10.05.2019. (33) NO  
 (54) **ROBOT, SUSTAV I METODA PODVODNOG NADZORA I ODRŽAVANJA TRUPA BRODA**  
 A ROBOT, SYSTEM AND A METHOD FOR UNDERWATER MONITORING AND MAINTENANCE OF A SHIP'S HULL  
 (73) Shipshave AS, Professor Olav Hanssens vei 7A, 4021 Stavanger, NO  
 (72) Rune Freyer, Maltheaugbrautene 23, 4046 Hafstrandsfjord, NO  
 (74) Danija Budimir, Zagreb, HR

- (51) MKP (10) [HR P20240620 T1](#)  
**B65B 13/18** (2006.01)  
**B65B 13/28** (2006.01)  
**E04G 21/12** (2006.01)  
**B65B 13/32** (2006.01)  
 (11) P20240620 (46) 30.08.2024.  
 (21) P20240620T (22) 07.05.2024.  
 (96) [EP 22172308.3](#) 21.07.2016.  
 (97) EP 4089019, 16.11.2022. 202246, En  
 (97) EP 4089019, 10.04.2024. 202415, En  
 (31) 2015145282 (32) 22.07.2015. (33) JP  
 2015145286 22.07.2015. JP  
 2016136066 08.07.2016. JP  
 (62) 16827826.5 ; 21.07.2016.  
 (54) **BUBANJ ZA NAMATANJE U APARATU ZA VEZANJE**  
 REEL FOR BINDING MACHINE  
 (73) Max Co., Ltd., 6-6 Nihonbashi Hakozaiki-cho Chuo-ku, 103-8502 Tokyo, JP  
 (72) Osamu Itagaki, 103-8502 Tokyo, JP  
 Takeshi Morijiri, 103-8502 Tokyo, JP  
 Tatsunori Sera, 103-8502 Tokyo, JP  
 Takuya Chigira, 103-8502 Tokyo, JP  
 Kazuhisa Takeuchi, 103-8502 Tokyo, JP  
 Sadayoshi Takeuchi, 103-8502 Tokyo, JP  
 (74) CPZ - CENTAR ZA PATENTE d.o.o., Zagreb, HR

- (51) MKP (10) [HR P20240693 T1](#)  
**B66F 9/075** (2006.01)  
 (11) P20240693 (46) 30.08.2024.  
 (21) P20240693T (22) 23.05.2024.  
 (96) [EP 20157784.8](#) 17.02.2020.  
 (97) EP 3702316, 02.09.2020. 202036, En  
 (97) EP 3702316, 03.04.2024. 202414, En  
 (31) 201900002935 (32) 28.02.2019. (33) IT  
 (54) **TELESKOPSKI UTOVARIVAČ SA UNAPRIJEĐENOM KABINOM**  
 TELEHANDLER WITH IMPROVED CAB  
 (73) Manitou Italia S.r.l., Via Cristoforo Colombo 2, Localita' Cavazzona, 41013 Castelfranco Emilia (Modena), IT  
 (72) Marco Iotti, Via Bedeschi 39, 42123 Reggio Emilia, IT  
 (74) Marin Karuza, Zagreb, HR

- (51) MKP (10) [HR P20240729 T1](#)  
**C06B 45/10** (2006.01)  
**C06B 25/20** (2006.01)  
 (11) P20240729 (46) 30.08.2024.  
 (21) P20240729T (22) 29.05.2024.  
 (86) PCT/IT2017000130 23.06.2017.  
 (96) [EP 17791467.8](#) 23.06.2017.  
 (87) [WO2018235112](#), 27.12.2018.  
 (97) EP 3642175, 29.04.2020. 202018, En  
 (97) EP 3642175, 06.03.2024. 202410, En  
 (54) **PRIPRAVAK ZA JEDNOBAZNI POTISNI PRAH ZA STRELJIVO I STRELJIVO S TAKVIM PRIPRAVKOM**  
 COMPOSITION FOR SINGLE-BASE PROPELLING POWDER FOR AMMUNITION AND AMMUNITION PROVIDED WITH SUCH COMPOSITION  
 (73) KNDS AMMO ITALY S.P.A., Via Ariana Km. 5,2, 00034 Colferro (Roma), IT  
 (72) Nicola Iudici, Via Ariana Km 5,2, 00034 Colferro, Roma, IT  
 Michela Girotti, Via San Tommaso D'Aquino 13N, 00034 Colferro, Roma, IT  
 Laura Lepore, Via Ariane Km 5,2, 00034 Colferro, Roma, IT  
 (74) ZMP IP d.o.o., Zagreb, HR

- (51) MKP (10) [HR P20240476 T1](#)  
**C07D 215/40** (2006.01)  
**A61K 31/47** (2006.01)  
**A61P 25/00** (2006.01)  
 (11) P20240476 (46) 30.08.2024.  
 (21) P20240476T (22) 04.04.2024.  
 (86) PCT/CN2017085886 25.05.2017.  
 (96) [EP 17802206.7](#) 25.05.2017.  
 (87) [WO2017202360](#), 30.11.2017.  
 (97) EP 3466931, 10.04.2019. 201915, En  
 (97) EP 3466931, 10.01.2024. 202402, En  
 (31) 201610369550 (32) 27.05.2016. (33) CN  
 (54) **TETRADENTATNI KELATNI MONOKINOLINSKI DERIVAT, NAČIN NJEGOVE PROIZVODNJE, I PRIMJENA ISTOG KAO REGULATORA METALNIH IONA ZA NEURODEGENERATIVNE BOLESTI**  
 TETRADENTATE CHELATING MONOQUINOLINE DERIVATIVE, MANUFACTURING METHOD THEREOF, AND APPLICATION OF SAME AS METAL ION REGULATOR FOR NEURODEGENERATIVE DISEASE  
 (73) Guangdong University Of Technology, No. 100 Waihuan Xi Road, Guangzhou Higher Education Mega Center, Panyu District, 510006 Guangzhou, Guangdong, CN  
 Centre National de la Recherche Scientifique, 3, rue Michel-Ange, 75794 Paris, FR  
 (72) Yan Liu, No. 100 Waihuan Xi Road, Guangzhou Higher Education Mega Center, Panyu District, 510006 Guangzhou Guangdong, CN  
 Liu Xingguo, No. 100 Waihuan Xi Road, Guangzhou Higher Education Mega Center, Panyu District, 510006 Guangzhou Guangdong, CN  
 Weixin Zhang, No. 100 Waihuan Xi Road, Guangzhou Higher Education Mega Center, Panyu District, 510006 Guangzhou Guangdong, CN  
 Daya Huang, No. 100 Waihuan Xi Road, Guangzhou Higher Education Mega Center, Panyu District, 510006 Guangzhou Guangdong, CN  
 Meijie Huang, No. 100 Waihuan Xi Road, Guangzhou Higher Education Mega Center, Panyu District, 510006 Guangzhou Guangdong, CN  
 Dean Wang, No. 100 Waihuan Xi Road, Guangzhou Higher Education Mega Center, Panyu District, 510006 Guangzhou Guangdong, CN  
 Ju Huang, No. 100 Waihuan Xi Road, Guangzhou Higher Education Mega Center, Panyu District, 510006 Guangzhou Guangdong, CN  
 Siwei Shu, No. 100 Waihuan Xi Road, Guangzhou Higher Education Mega Center, Panyu District, 510006 Guangzhou Guangdong, CN  
 Michel Nguyen, Université de Toulouse, Laboratoire de Chimie de Coordination du CNRS, 205 route de Narbonne, BP 44099, 31077 Toulouse cedex 4, FR  
 Anne Robert, Université de Toulouse, Laboratoire de Chimie de Coordination du CNRS, 205 route de Narbonne, BP 44099, 31077 Toulouse cedex 4, FR  
 Bernard Meunier, Université de Toulouse, Laboratoire de Chimie de Coordination du CNRS, 205 route de Narbonne, BP 44099, 31077 Toulouse cedex 4, FR  
 (74) ZMP IP d.o.o., Zagreb, HR

(51)	MKP	(10)	<a href="#">HR P20240368 T1</a>	(21)	P20240733T	(22)		31.05.2024.
	<b>C07D 417/14</b> (2006.01)			(86)	PCT/US2021047800		26.08.2021.	
	<b>C07D 413/14</b> (2006.01)			(96)	<a href="#">EP 21770403.0</a>		26.08.2021.	
	<b>A61P 35/00</b> (2006.01)			(87)	<a href="#">WO2022047065</a>		03.03.2022.	
	<b>A61K 31/505</b> (2006.01)			(97)	EP 4204421, 05.07.2023.		202327, En	
	<b>A61K 45/06</b> (2006.01)			(97)	EP 4204421, 15.05.2024.		202420, En	
	<b>C07D 411/14</b> (2006.01)			(31)	202063071134 P	(32)	27.08.2020.	(33) US
	<b>C07D 413/04</b> (2006.01)				202163162283 P		17.03.2021.	US
	<b>C07D 471/04</b> (2006.01)				202163215310 P		25.06.2021.	US
(11)	P20240368	(46)		(54)	<b>SPOJEVI I POSTUPCI ZA LIJEČENJE VIRUSNIH INFEKCIJA</b>			
(21)	P20240368T	(22)	14.03.2024.		COMPOUNDS AND METHODS FOR TREATMENT OF VIRAL INFECTIONS			
(86)	PCT/US2018042128		13.07.2018.	(73)	GILEAD SCIENCES, INC., 333 Lakeside Drive, Foster City, CA 94404, US			
(96)	<a href="#">EP 18831104.7</a>		13.07.2018.	(72)	Elaine Bunyan, Foster City, CA 94404, US			
(87)	<a href="#">WO2019014618</a>		17.01.2019.		Byoung-Kwon Chun, Foster City, CA 94404, US			
(97)	EP 3651768, 20.05.2020.		202021, En		Kassibla Elodie Dempah, Foster City, CA 94404, US			
(97)	EP 3651768, 20.12.2023.		202351, En		Hon C. Hui, San Mateo, CA 94401, US			
(31)	201762531951 P	(32)	13.07.2017.	(33)	US			
(54)	<b>HETEROCIKLIČKI INHIBITORI ATR KINAZE</b>							
	HETEROCYCLIC INHIBITORS OF ATR KINASE							
(73)	Board of Regents, The University of Texas System, 210 W. 7th Street, Austin, TX 78701, US							
	Chempartner Corporation, 280 Utah Avenue, Suite 100, South San Francisco, CA 94080, US							
(72)	Maria Emilia Di Francesco, 2727 Carolina Way, Houston, TX 77005, US							
	Philip Jones, 2727 Carolina Way, Houston, TX 77005, US							
	Jason Bryant Cross, 2821 Moss Lake Lane, Pearland, TX 77584, US							
	Suyambu Kesava Vijayan Ramaswamy, 7550 Kirby Drive, Apt. 924, Houston, TX 77030, US							
	Michael Garrett Johnson, 409 Clipper Street, San Francisco, CA 94114, US							
	Sarah Lively, 1536 Eaton Avenue, San Carlos, CA 94070, US							
	David Lapointe, 280 Utah Ave., Suite 100, South San Francisco, CA 94080, US							
	Christopher, Lawrence Carroll, 3501 Mosley Ct., Houston, TX 77004-4114, US							
(74)	ZMP IP d.o.o., Zagreb, HR							
(51)	MKP	(10)	<a href="#">HR P20240722 T1</a>	(51)	MKP	(10)	<a href="#">HR P20240722 T1</a>	
	<b>C07K 16/28</b> (2006.01)				<b>C07K 16/24</b> (2006.01)			
	<b>C07K 16/24</b> (2006.01)				<b>G01N 33/68</b> (2006.01)			
	<b>G01N 33/15</b> (2006.01)				<b>G01N 33/50</b> (2006.01)			
	<b>G01N 33/50</b> (2006.01)				<b>C12N 15/10</b> (2006.01)			
	<b>A61K 39/00</b> (2006.01)			(11)	P20240722	(46)		30.08.2024.
(11)	P20240722	(46)		(21)	P20240722T	(22)		28.05.2024.
(21)	P20240722T	(22)		(96)	<a href="#">EP 19154342.0</a>		10.04.2009.	
(96)	<a href="#">EP 19154342.0</a>		10.04.2009.	(97)	EP 3514180, 24.07.2019.		201930, En	
(97)	EP 3514180, 24.07.2019.		201930, En	(97)	EP 3514180, 01.05.2024.		202418, En	
(97)	EP 3514180, 01.05.2024.		202418, En	(31)	2008104147	(32)	11.04.2008.	(33) JP
(31)	2008104147	(32)	11.04.2008.		2008247713		26.09.2008.	JP
	2008247713		26.09.2008.		2009068744		19.03.2009.	JP
	2009068744		19.03.2009.					
(62)	09729337.7 ; 10.04.2009.							
(54)	<b>MOLEKULA KOJA SE VEŽE NA ANTIGENE, KOJA SE MOŽE PONAVLJANO VEŽATI NA DVJE ILI VIŠE MOLEKULA ANTIGENA</b>							
	ANTIGEN-BINDING MOLECULE CAPABLE OF BINDING TO TWO OR MORE ANTIGEN MOLECULES REPEATEDLY							
(73)	Chugai Seiyaku Kabushiki Kaisha, 5-1, Ukima 5-chome, Kita-ku, 115-8543 Tokyo, JP							
(72)	Tomoyuki Igawa, c/o Chugai Seiyaku Kabushiki Kaisha, 135 Komakado 1-chome, Gotenba-shi, 412-8513 Shizuoka, JP							
	Shinya Ishii, c/o Chugai Seiyaku Kabushiki Kaisha, 135 Komakado 1-chome, Gotenba-shi, 412-8513 Shizuoka, JP							
	Atsuhiko Maeda, c/o Chugai Seiyaku Kabushiki Kaisha, 135 Komakado 1-chome, Gotenba-shi, 412-8513 Shizuoka, JP							
	Takashi Nakai, c/o Chugai Seiyaku Kabushiki Kaisha, 135 Komakado 1-chome, Gotenba-shi, 412-8513 Shizuoka, JP							
(74)	Hraste & Partneri odvjetničko društvo d.o.o., Zagreb, HR							
(51)	MKP	(10)	<a href="#">HR P20240739 T1</a>	(51)	MKP	(10)	<a href="#">HR P20240734 T1</a>	
	<b>C07D 471/04</b> (2006.01)				<b>C07K 16/28</b> (2006.01)			
	<b>A61P 9/04</b> (2006.01)				<b>C07K 16/30</b> (2006.01)			
	<b>A61P 17/06</b> (2006.01)				<b>C07K 16/32</b> (2006.01)			
	<b>A61P 25/28</b> (2006.01)				<b>A61P 35/00</b> (2006.01)			
	<b>A61P 29/00</b> (2006.01)			(11)	P20240734	(46)		30.08.2024.
	<b>A61K 31/437</b> (2006.01)			(21)	P20240734T	(22)		31.05.2024.
	<b>A61K 31/444</b> (2006.01)			(96)	<a href="#">EP 19172443.4</a>		03.08.2015.	
(11)	P20240739	(46)		(97)	EP 3608337, 12.02.2020.		202007, En	
(21)	P20240739T	(22)	31.05.2024.	(97)	EP 3608337, 17.04.2024.		202416, En	
(86)	PCT/US2021055340		18.10.2021.	(31)	14179764	(32)	04.08.2014.	(33) EP
(96)	<a href="#">EP 21805787.5</a>		18.10.2021.		15170866		05.06.2015.	EP
(87)	<a href="#">WO2022086828</a>		28.04.2022.	(62)	15742329.4 ; 03.08.2015.			
(97)	EP 4229056, 23.08.2023.		202334, En	(54)	<b>MOLEKULE VEŽANE NA BISPECIFIČNE ANTIGENE KOJI AKTIVIRAJU T STANICE</b>			
(97)	EP 4229056, 10.04.2024.		202415, En		BISPECIFIC T CELL ACTIVATING ANTIGEN BINDING MOLECULES			
(31)	202063093463 P	(32)	19.10.2020.	(33)	US			
(54)	<b>SPOJEVI TRIAZOLOPIRIDINILA KAO INHIBITORI KINAZE</b>							
	TRIAZOLOPYRIDINYL COMPOUNDS AS KINASE INHIBITORS							
(73)	Bristol-Myers Squibb Company, Route 206 and Province Line Road, Princeton, NJ 08543, US							
(72)	Guanglin Luo, Princeton, NJ 08543, US							
	Jie Chen, Cambridge, MA 02142, US							
	Carolyn Diane Dzierba, Cambridge, MA 02142, US							
	David B. Frennesson, Cambridge, MA 02142, US							
	Junqing Guo, Princeton, NJ 08543, US							
	Amy C. Hart, Littleton, CO 80128, US							
	Xirui Hu, Cambridge, MA 02142, US							
	Michael E. Mertzman, Princeton, NJ 08543, US							
	Matthew Reiser Patton, Cambridge, MA 02142, US							
	Jianliang Shi, Princeton, NJ 08543, US							
	Steven H. Spergel, Princeton, NJ 08543, US							
	Brian Lee Venables, Cambridge, MA 02142, US							
	Yong-Jin Wu, Cambridge, MA 02142, US							
	Zili Xiao, Princeton, NJ 08543, US							
	Michael G. Yang, Princeton, NJ 08543, US							
(74)	Marin Karuza, Zagreb, HR							
(51)	MKP	(10)	<a href="#">HR P20240733 T1</a>	(51)	MKP	(10)	<a href="#">HR P20240733 T1</a>	
	<b>C07D 487/04</b> (2006.01)				<b>C07D 487/04</b> (2006.01)			
	<b>A61P 31/14</b> (2006.01)			(11)	P20240733	(46)		30.08.2024.
(11)	P20240733	(46)						

	Sabine Imhof-Jung, c/o Roche Diagnostics GmbH, Nonnenwald 2, 82377 Penzberg, DE	(11) P20240691	(46)	30.08.2024.
	Christiane Neumann (formally Jaeger), c/o Roche Glycart AG, Wagistrasse 10, 8952 Schlieren, CH	(21) P20240691T	(22)	23.05.2024.
	Christian Klein, c/o Roche Glycart AG, Wagistrasse 10, 8952 Schlieren, CH	(86) PCT/EP2020061339	23.04.2020.	
	Stefan Klostermann, c/o Roche Diagnostics GmbH, Nonnenwald 2, 82377 Penzberg, DE	(96) <a href="#">EP 20723301.6</a>	23.04.2020.	
	Michael Molhoj, c/o Roche Diagnostics GmbH, Nonnenwald 2, 82377 Penzberg, DE	(87) <a href="#">WO2020216846</a>	29.10.2020.	
	Joerg Thomas Regula, c/o Roche Diagnostics GmbH, Nonnenwald 2, 82377 Penzberg, DE	(97) EP 3959377, 02.03.2022.	202209, En	
	Wolfgang Schaefer, c/o Roche Diagnostics GmbH, Nonnenwald 2, 82377 Penzberg, DE	(97) EP 3959377, 13.03.2024.	202411, En	
	Pablo Umaña, c/o Roche Glycart AG, Wagistrasse 10, 8952 Schlieren, CH	(31) 1950497	(32) 23.04.2019.	(33) SE
(74)	CPZ - CENTAR ZA PATENTE d.o.o., Zagreb, HR	(54)	<b>PLOČA KOJA USPORAVA ŠIRENJE POŽARA</b> FIRE RETARDANT BOARD	
		(73)	Re-Board Technology AB, P O Box 242, 601 04 Norrköping, SE	
		(72)	Erik Gustaf Redin, 181 41 Lidingö, SE	
		(74)	Danija Budimir, Zagreb, HR	
		(51)	MKP	(10) <a href="#">HR P20240715 T1</a>
			<b>F23D 14/02</b> (2006.01)	
			<b>F23D 14/24</b> (2006.01)	
(11)	P20240715	(46)	30.08.2024.	
(21)	P20240715T	(22)	28.05.2024.	
(96)	<a href="#">EP 21196091.9</a>	10.09.2021.		
(97)	EP 3967924, 16.03.2022.	202211, En		
(97)	EP 3967924, 15.05.2024.	202420, En		
(31)	202000021688	(32)	14.09.2020.	(33) IT
(54)	<b>GLAVA ZA IZGARANJE PLAMENIKA</b> COMBUSTION HEAD FOR A BURNER			
(73)	Riello S.p.A., Via Ing. Pilade Riello, 7, 37045 Legnago, IT			
(72)	Flavio Comencini, 37045 Legnago (VR), IT Andrea Dalla Benetta, 37045 Legnago (VR), IT Filippo Marconcini, 37068 Vigasio (VR), IT Roberto Marchetti, 37026 Pescantina (VR), IT			
(74)	PETOŠEVIĆ d.o.o., Zagreb, HR			
		(51)	MKP	(10) <a href="#">HR P20240723 T1</a>
			<b>F41A 11/00</b> (2006.01)	
			<b>F41A 3/64</b> (2006.01)	
			<b>F41C 3/00</b> (2006.01)	
(11)	P20240723	(46)	30.08.2024.	
(21)	P20240723T	(22)	29.05.2024.	
(96)	<a href="#">EP 21217340.5</a>	23.12.2021.		
(97)	EP 4202347, 28.06.2023.	202326, De		
(97)	EP 4202347, 06.03.2024.	202410, De		
(54)	<b>BLOKADA ZA UGRADNJU U MODUL OKVIRA PIŠTOLJA</b> LOCKING DEVICE FOR MOUNTING IN A FRAME MODULE FOR A HANDGUN			
(73)	Glock Technology GmbH, 9170 Ferlach, AT			
(72)	Sebastian Hell, 2253 Weikendorf, AT Josef Kroyer, 4580 Zemendorf, AT			
(74)	Sandra Russo Zelenović, Split, HR			
		(51)	MKP	(10) <a href="#">HR P20240555 T1</a>
			<b>G01G 19/40</b> (2006.01)	
			<b>A01K 5/00</b> (2006.01)	
			<b>A01K 29/00</b> (2006.01)	
			<b>G01N 5/04</b> (2006.01)	
			<b>G01N 15/02</b> (2024.01)	
			<b>B07B 1/40</b> (2006.01)	
(11)	P20240555	(46)	30.08.2024.	
(21)	P20240555T	(22)	23.04.2024.	
(86)	PCT/EP2020084096	01.12.2020.		
(96)	<a href="#">EP 20812108.7</a>	01.12.2020.		
(87)	<a href="#">WO2021110668</a>	10.06.2021.		
(97)	EP 4070049, 12.10.2022.	202241, En		
(97)	EP 4070049, 13.03.2024.	202411, En		
(31)	19213390	(32)	04.12.2019.	(33) EP
(54)	<b>UREDAJ I POSTUPAK ZA PROIZVODNJU HRANE ZA STOKU</b> A DEVICE AND METHOD FOR PRODUCING FEED FOR LIVESTOCK			
(73)	Vestjyllands Andel A.m.b.a., Vester Kær 16, 6950 Ringkøbing, DK			
(72)	Anders Kaae, Borumvej 31, 7620 Lemvig, DK Torben Duedal Jensen, Alkærlundvej 46, 7330 Brande, DK			
(74)	ZMP IP d.o.o., Zagreb, HR			
		(51)	MKP	(10) <a href="#">HR P20240690 T1</a>
			<b>G01M 3/18</b> (2006.01)	
(11)	P20240691	(46)	30.08.2024.	
(21)	P20240691T	(22)	23.05.2024.	
(86)	PCT/EP2020061339	23.04.2020.		
(96)	<a href="#">EP 20723301.6</a>	23.04.2020.		
(87)	<a href="#">WO2020216846</a>	29.10.2020.		
(97)	EP 3959377, 02.03.2022.	202209, En		
(97)	EP 3959377, 13.03.2024.	202411, En		
(31)	1950497	(32)	23.04.2019.	(33) SE
(54)	<b>PLOČA KOJA USPORAVA ŠIRENJE POŽARA</b> FIRE RETARDANT BOARD			
(73)	Re-Board Technology AB, P O Box 242, 601 04 Norrköping, SE			
(72)	Erik Gustaf Redin, 181 41 Lidingö, SE			
(74)	Danija Budimir, Zagreb, HR			
		(51)	MKP	(10) <a href="#">HR P20240732 T1</a>
			<b>C12N 9/16</b> (2006.01)	
			<b>C12P 21/00</b> (2006.01)	
			<b>A61K 38/46</b> (2006.01)	
(11)	P20240732	(46)	30.08.2024.	
(21)	P20240732T	(22)	31.05.2024.	
(96)	<a href="#">EP 16203748.5</a>	16.01.2009.		
(97)	EP 3219795, 20.09.2017.	201738, En		
(97)	EP 3219795, 13.03.2024.	202411, En		
(31)	22179 P	(32)	18.01.2008.	(33) US
	99373 P		23.09.2008.	US
	110246 P		31.10.2008.	US
(62)	09702074.7 ; 16.01.2009.			
(54)	<b>PROIZVODNJA AKTIVNIH VISOKO FOSFORILIRANIH</b> <b>LJUDSKIH ENZIMA LIZOSOMALNE SULFATAZE I NJIHOVA</b> <b>UPOTREBA</b> MANUFACTURE OF ACTIVE HIGHLY PHOSPHORYLATED HUMAN LYSOSOMAL SULFATASE ENZYMES AND USES THEREOF			
(73)	BioMarin Pharmaceutical Inc., 105 Digital Drive, Novato, CA 94949, US			
(72)	Michel Claude Vellard, 191 Oak Drive, San Rafael, CA 94901, US Vish Koppaka, c/o Ultragenyx Pharmaceutical Inc., 60 Leveroni Ct., Novato, CA 94949, US Melita Dvorak-Ewell, 1268 12th Avenue, San Francisco, CA 91422, US Erno Pungnor, 250 Castenada Drive, Millbrae, CA 94030, US Charles Hague, c/o BioMarin Pharmaceutical Inc., 105 Digital Drive, Novato, CA 94949, US			
(74)	PRODUCTA d.o.o., Zagreb, HR			
		(51)	MKP	(10) <a href="#">HR P20240530 T1</a>
			<b>D21F 3/04</b> (2006.01)	
			<b>D21F 7/02</b> (2006.01)	
			<b>D21F 9/00</b> (2006.01)	
			<b>D21G 1/02</b> (2006.01)	
(11)	P20240530	(46)	30.08.2024.	
(21)	P20240530T	(22)	16.04.2024.	
(86)	PCT/EP2021068249	01.07.2021.		
(96)	<a href="#">EP 21739107.7</a>	01.07.2021.		
(87)	<a href="#">WO2022063453</a>	31.03.2022.		
(97)	EP 4217538, 02.08.2023.	202331, De		
(97)	EP 4217538, 13.03.2024.	202411, De		
(31)	508232020	(32)	28.09.2020.	(33) AT
(54)	<b>POGONSKI SKLOP I POGONSKI SKLOP ZA PREŠU S</b> <b>DVOSTRUKIM SITOM</b> DRIVE ARRANGEMENT, AND DRIVE ARRANGEMENT FOR A TWIN-WIRE PRESS			
(73)	Andritz AG, Stattegger Strasse 18, 8045 Graz, AT			
(72)	Mahir Mehinagic, 8053 Graz, AT Ewald Kulhanek, 8113 St. Bartholomä, AT			
(74)	ZMP IP d.o.o., Zagreb, HR			
		(51)	MKP	(10) <a href="#">HR P20240691 T1</a>
			<b>D21H 21/34</b> (2006.01)	
			<b>B32B 3/12</b> (2006.01)	
			<b>B32B 9/06</b> (2006.01)	
			<b>B32B 15/12</b> (2006.01)	
			<b>B32B 15/20</b> (2006.01)	
			<b>B32B 29/08</b> (2006.01)	
			<b>D21H 27/30</b> (2006.01)	

(11)	P20240690	(46)	30.08.2024.	(73)	Samsung Electronics Co., Ltd., 129, Samsung-ro Yeongtong-gu
(21)	P20240690T	(22)	23.05.2024.	(74)	Suwon-si, 16677 Gyeonggi-do, KR
(86)	PCT/EP2020050507	10.01.2020.		(72)	Yeon-Ju Lim, 16677 Gyeonggi-do, KR
(96)	<a href="#">EP 20700372.4</a>	10.01.2020.			Hwan-Joon Kwon, 16677 Gyeonggi-do, KR
(87)	<a href="#">WO2020151961</a>	30.07.2020.			Hak-Ju Lee, 16677 Gyeonggi-do, KR
(97)	EP 3914887, 01.12.2021.	202148, De			Jae-Yoel Kim, 16677 Gyeonggi-do, KR
(97)	EP 3914887, 28.02.2024.	202409, De			Sung-Ryul Yun, 16677 Gyeonggi-do, KR
(31)	500432019	(32) 22.01.2019.	(33) AT		Hong-Si Jeong, 16677 Gyeonggi-do, KR
(54)	<b>TESTNI UREĐAJ ZA ISPITIVANJE BRTVLJENJA</b> TESTING DEVICE FOR TESTING FLUID TIGHTNESS			(74)	KORPER I PARTNERI odvjetničko društvo d.o.o., Zagreb, HR
(73)	E. Hawle Armaturenwerke GmbH, Wagrainstrasse 13, 4840				
	Vöcklabruck, AT				
(72)	Franz Plainer, Walchen 25, 4870 Vöcklamarkt, AT				
(74)	CPZ - CENTAR ZA PATENTE d.o.o., Zagreb, HR				
<hr/>					
(51)	MKP	(10)	<a href="#">HR P20240744 T1</a>		
	<b>G01N 27/447</b> (2006.01)				
	<b>C07K 16/06</b> (2006.01)				
(11)	P20240744	(46)	30.08.2024.		
(21)	P20240744T	(22)	04.06.2024.		
(86)	PCT/EP2021058775	01.04.2021.			
(96)	<a href="#">EP 21716415.1</a>	01.04.2021.			
(87)	<a href="#">WO2021204714</a>	14.10.2021.	, En		
(97)	EP 4133263, 15.02.2023.	202307, En			
(97)	EP 4133263, 22.05.2024.	202421, En			
(31)	20168561	(32) 07.04.2020.	(33) EP		
(54)	<b>KAPILARNA GEL ELEKTROFOREZA I NJEZINA UPOTREBA S</b> <b>KOMPLEKSNIH BIOLOŠKIM MOLEKULAMA</b> CAPILLARY GEL ELECTROPHORESIS AND ITS USE WITH COMPLEX BIOLOGICAL MOLECULES				
(73)	ARES TRADING S.A., Zone Industrielle de l'Ouriettaz, 1170				
	Aubonne, CH				
(72)	Oscar Vassallo, c/o Merck Serono S.p.A., Via Luigi Einaudi 11,				
	00012 Guidonia Montecelio RM, IT				
(74)	PRODUCTA d.o.o., Zagreb, HR				
<hr/>					
(51)	MKP	(10)	<a href="#">HR P20240687 T1</a>		
	<b>H01F 27/28</b> (2006.01)				
	<b>H01F 37/00</b> (2006.01)				
	<b>H01F 27/32</b> (2006.01)				
(11)	P20240687	(46)	30.08.2024.		
(21)	P20240687T	(22)	22.05.2024.		
(96)	<a href="#">EP 21180473.7</a>	05.09.2018.			
(97)	EP 3920198, 08.12.2021.	202149, En			
(97)	EP 3920198, 28.02.2024.	202409, En			
(31)	201762557289 P	(32) 12.09.2017.	(33) US		
	201816114287	28.08.2018.	US		
(62)	18192834.2 ; 05.09.2018.				
(54)	<b>SKLOPOVI INDUKTORA</b> INDUCTOR ASSEMBLIES				
(73)	Raycap, S.A., Telou & Petroutsou 14, Maroussi, 15124 Athens, GR				
(72)	Grigoris Kostakis, 15124 Athens, GR				
	Megaklis Marathias, 15124 Athens, GR				
	Fotis Xepapas, 15124 Athens, GR				
	Kostas Bakatsias, 15124 Athens, GR				
	George Peppas, 15124 Athens, GR				
	Zafiris G. Politis, 15124 Athens, GR				
(74)	Tomislav Hadžija, Zagreb, HR				
<hr/>					
(51)	MKP	(10)	<a href="#">HR P20240730 T1</a>		
	<b>H04H 20/30</b> (2008.01)				
	<b>H04H 20/42</b> (2008.01)				
(11)	P20240730	(46)	30.08.2024.		
(21)	P20240730T	(22)	29.05.2024.		
(96)	<a href="#">EP 22197979.2</a>	28.01.2009.			
(97)	EP 4145728, 08.03.2023.	202310, En			
(97)	EP 4145728, 24.04.2024.	202417, En			
(31)	20080008800	(32) 28.01.2008.	(33) KR		
	20080011005	04.02.2008.	KR		
(62)	09151552.8 ; 28.01.2009.				
(54)	<b>UREĐAJ ZA PRIJENOS I PRIMANJE PODATAKA O USLUZI</b> <b>EMITIRANJA U SUSTAVU KOMUNIKACIJE EMITIRANJA</b> APPARATUS FOR TRANSMITTING AND RECEIVING BROADCAST SERVICE DATA IN A BROADCASTING COMMUNICATION SYSTEM				

## Kazalo brojeva europskih patenata

Broj patenta (11)	MKP (51)	Broj patenta (11)	MKP (51)	Broj patenta (11)	MKP (51)
P20240368	<b>C07D 417/14</b> (2006.01) <b>C07D 413/14</b> (2006.01) <b>A61P 35/00</b> (2006.01) <b>A61K 31/505</b> (2006.01) <b>A61K 45/06</b> (2006.01) <b>C07D 411/14</b> (2006.01) <b>C07D 413/04</b> (2006.01) <b>C07D 471/04</b> (2006.01)	P20240691	<b>D21H 21/34</b> (2006.01) <b>B32B 3/12</b> (2006.01) <b>B32B 9/06</b> (2006.01) <b>B32B 15/12</b> (2006.01) <b>B32B 15/20</b> (2006.01) <b>B32B 29/08</b> (2006.01) <b>D21H 27/30</b> (2006.01)	P20240727	<b>A43B 1/04</b> (2022.01) <b>A43B 23/02</b> (2006.01) <b>A43B 23/04</b> (2006.01) <b>D04B 1/12</b> (2006.01)
P20240400	<b>A61K 31/37</b> (2006.01) <b>A61K 31/573</b> (2006.01) <b>A61P 35/04</b> (2006.01) <b>A61P 35/00</b> (2006.01)	P20240692	<b>A24F 40/40</b> (2020.01) <b>A24F 40/95</b> (2020.01)	P20240728	<b>A61K 31/55</b> (2006.01) <b>A61K 31/675</b> (2006.01) <b>A61K 38/05</b> (2006.01) <b>A61P 27/02</b> (2006.01) <b>A61K 31/683</b> (2006.01)
P20240476	<b>C07D 215/40</b> (2006.01) <b>A61K 31/47</b> (2006.01) <b>A61P 25/00</b> (2006.01)	P20240693	<b>B66F 9/075</b> (2006.01)	P20240729	<b>C06B 45/10</b> (2006.01) <b>C06B 25/20</b> (2006.01)
P20240479	<b>B26D 7/01</b> (2006.01) <b>B26D 7/06</b> (2006.01) <b>B26D 7/20</b> (2006.01)	P20240705	<b>A61K 47/64</b> (2017.01) <b>A61P 21/00</b> (2006.01)	P20240730	<b>H04H 20/30</b> (2008.01) <b>H04H 20/42</b> (2008.01)
P20240530	<b>D21F 3/04</b> (2006.01) <b>D21F 7/02</b> (2006.01) <b>D21F 9/00</b> (2006.01) <b>D21G 1/02</b> (2006.01)	P20240711	<b>B63B 59/08</b> (2006.01)	P20240731	<b>A61M 5/1675</b> (2006.01) <b>A61M 5/158</b> (2006.01) <b>A61M 5/32</b> (2006.01)
P20240555	<b>G01G 19/40</b> (2006.01) <b>A01K 5/00</b> (2006.01) <b>A01K 29/00</b> (2006.01) <b>G01N 5/04</b> (2006.01) <b>G01N 15/02</b> (2024.01) <b>B07B 1/40</b> (2006.01)	P20240712	<b>A61K 31/731</b> (2006.01) <b>A61P 31/14</b> (2006.01)	P20240732	<b>C12N 9/16</b> (2006.01) <b>C12P 21/00</b> (2006.01) <b>A61K 38/46</b> (2006.01)
P20240607	<b>A61G 13/12</b> (2006.01)	P20240714	<b>A61K 39/395</b> (2006.01) <b>A61P 35/00</b> (2006.01) <b>C07K 16/18</b> (2006.01) <b>C12P 21/08</b> (2006.01) <b>A61K 47/68</b> (2017.01) <b>A61K 47/69</b> (2017.01) <b>A61K 39/00</b> (2006.01) <b>C07K 16/30</b> (2006.01) <b>A61K 35/17</b> (2015.01) <b>A61K 45/06</b> (2006.01)	P20240733	<b>C07D 487/04</b> (2006.01) <b>A61P 31/14</b> (2006.01)
P20240620	<b>B65B 13/18</b> (2006.01) <b>B65B 13/28</b> (2006.01) <b>E04G 21/12</b> (2006.01) <b>B65B 13/32</b> (2006.01)	P20240715	<b>F23D 14/02</b> (2006.01) <b>F23D 14/24</b> (2006.01)	P20240734	<b>C07K 16/28</b> (2006.01) <b>C07K 16/30</b> (2006.01) <b>C07K 16/32</b> (2006.01) <b>A61P 35/00</b> (2006.01)
P20240687	<b>H01F 27/28</b> (2006.01) <b>H01F 37/00</b> (2006.01) <b>H01F 27/32</b> (2006.01)	P20240716	<b>A61K 9/00</b> (2006.01)	P20240738	<b>A23G 1/00</b> (2006.01) <b>A23G 1/20</b> (2006.01) <b>A23G 1/22</b> (2006.01) <b>A23G 1/50</b> (2006.01)
P20240688	<b>A61K 31/138</b> (2006.01) <b>A61K 31/439</b> (2006.01) <b>A61K 45/06</b> (2006.01) <b>A61P 11/06</b> (2006.01) <b>A61P 11/08</b> (2006.01)	P20240722	<b>C07K 16/28</b> (2006.01) <b>C07K 16/24</b> (2006.01) <b>G01N 33/68</b> (2006.01) <b>G01N 33/15</b> (2006.01) <b>G01N 33/50</b> (2006.01) <b>C12N 15/10</b> (2006.01) <b>A61K 39/00</b> (2006.01)	P20240739	<b>C07D 471/04</b> (2006.01) <b>A61P 9/04</b> (2006.01) <b>A61P 17/06</b> (2006.01) <b>A61P 25/28</b> (2006.01) <b>A61P 29/00</b> (2006.01) <b>A61K 31/437</b> (2006.01) <b>A61K 31/444</b> (2006.01)
P20240689	<b>A61K 9/00</b> (2006.01) <b>A61K 9/10</b> (2006.01) <b>A61K 31/519</b> (2006.01) <b>A61K 47/26</b> (2006.01) <b>A61P 25/18</b> (2006.01)	P20240723	<b>F41A 11/00</b> (2006.01) <b>F41A 3/64</b> (2006.01) <b>F41C 3/00</b> (2006.01)	P20240740	<b>H04R 23/02</b> (2006.01) <b>H04R 7/04</b> (2006.01) <b>H04R 9/06</b> (2006.01) <b>H04R 15/00</b> (2006.01)
P20240690	<b>G01M 3/18</b> (2006.01)	P20240724	<b>A61K 47/69</b> (2017.01) <b>A61K 38/07</b> (2006.01) <b>B82Y 5/00</b> (2011.01) <b>A61P 35/00</b> (2006.01)	P20240743	<b>A61K 31/506</b> (2006.01) <b>C07D 263/08</b> (2006.01) <b>C07D 487/04</b> (2006.01)
		P20240725	<b>A61K 9/00</b> (2006.01) <b>A61K 31/167</b> (2006.01) <b>A61K 31/40</b> (2006.01) <b>A61K 31/58</b> (2006.01) <b>A61P 1/00</b> (2006.01)	P20240744	<b>G01N 27/447</b> (2006.01) <b>C07K 16/06</b> (2006.01)
				P20240745	<b>B29C 73/10</b> (2006.01)

# Kazalo klasifikacijskih oznaka europskih patenata prema Međunarodnoj klasifikaciji patenata

MKP (51)	Broj patenta (11)	Naziv izuma (54)
<b>A01K 29/00</b> (2006.01)	P20240555	UREĐAJ I POSTUPAK ZA PROIZVODNJU HRANE ZA STOKU A DEVICE AND METHOD FOR PRODUCING FEED FOR LIVESTOCK
<b>A01K 5/00</b> (2006.01)	P20240555	UREĐAJ I POSTUPAK ZA PROIZVODNJU HRANE ZA STOKU A DEVICE AND METHOD FOR PRODUCING FEED FOR LIVESTOCK
<b>A23G 1/00</b> (2006.01)	P20240738	KALUP ZA BILJNE MASTI I NJEGOVA UPORABA MOULD FOR VEGETABLE FATS AND USE OF SAME
<b>A23G 1/20</b> (2006.01)	P20240738	KALUP ZA BILJNE MASTI I NJEGOVA UPORABA MOULD FOR VEGETABLE FATS AND USE OF SAME
<b>A23G 1/22</b> (2006.01)	P20240738	KALUP ZA BILJNE MASTI I NJEGOVA UPORABA MOULD FOR VEGETABLE FATS AND USE OF SAME
<b>A23G 1/50</b> (2006.01)	P20240738	KALUP ZA BILJNE MASTI I NJEGOVA UPORABA MOULD FOR VEGETABLE FATS AND USE OF SAME
<b>A24F 40/40</b> (2020.01)	P20240692	APARAT ZA STVARANJE PARE ZAGRIJAVANJEM KEMIJSKOG SPOJA ILI DUHANA APPARATUS FOR GENERATING VAPOUR BY HEATING A CHEMICAL COMPOUND OR TOBACCO
<b>A24F 40/95</b> (2020.01)	P20240692	APARAT ZA STVARANJE PARE ZAGRIJAVANJEM KEMIJSKOG SPOJA ILI DUHANA APPARATUS FOR GENERATING VAPOUR BY HEATING A CHEMICAL COMPOUND OR TOBACCO
<b>A43B 1/04</b> (2022.01)	P20240727	GORNJIŠTE ZA CIPELE I POSTUPAK IZRADE GORNJIŠTA UPPER AND METHOD FOR THE MANUFACTURE OF AN UPPER
<b>A43B 23/02</b> (2006.01)	P20240727	GORNJIŠTE ZA CIPELE I POSTUPAK IZRADE GORNJIŠTA UPPER AND METHOD FOR THE MANUFACTURE OF AN UPPER
<b>A43B 23/04</b> (2006.01)	P20240727	GORNJIŠTE ZA CIPELE I POSTUPAK IZRADE GORNJIŠTA UPPER AND METHOD FOR THE MANUFACTURE OF AN UPPER
<b>A61G 13/12</b> (2006.01)	P20240607	POTPORNA NAPRAVA U OBLIKU PODLOGE, UGLAVNOM ZA UPORABU NA MEDICINSKOM KREKETU SUPPORT DEVICE IN FORM OF A PAD, MAINLY FOR USE ONTO A MEDICAL BED
<b>A61K 31/138</b> (2006.01)	P20240688	KOMBINACIJE ANTAGONISTA MUSKARINSKIH RECEPTORA I AGONISTA BETA-2 ADRENORECEPTORA COMBINATIONS OF A MUSCARINIC RECEPTOR ANTAGONIST AND A BETA-2 ADRENORECEPTOR AGONIST
<b>A61K 31/167</b> (2006.01)	P20240725	PRIPRAVCI, POSTUPCI I SUSTAVI ZA OTPUŠTANJE AEROSOLNE DJELATNE TVARI COMPOSITIONS, METHODS AND SYSTEMS FOR AEROSOL DRUG DELIVERY
<b>A61K 31/37</b> (2006.01)	P20240400	DERIVAT KUMARINA, NAMIJENJENI TERAPIJI ILI PROFILAKSI POREMEĆAJA STANIČNE PROLIFERACIJE COUMARIN DERIVATIVE FOR THERAPY OR PROPHYLAXIS OF A CELL PROLIFERATIVE DISORDER
<b>A61K 31/40</b> (2006.01)	P20240725	PRIPRAVCI, POSTUPCI I SUSTAVI ZA OTPUŠTANJE AEROSOLNE DJELATNE TVARI COMPOSITIONS, METHODS AND SYSTEMS FOR AEROSOL DRUG DELIVERY
<b>A61K 31/437</b> (2006.01)	P20240739	SPOJEVI TRIAZOLOPIRIDINILA KAO INHIBITORI KINAZE TRIAZOLOPYRIDINYL COMPOUNDS AS KINASE INHIBITORS
<b>A61K 31/439</b> (2006.01)	P20240688	KOMBINACIJE ANTAGONISTA MUSKARINSKIH RECEPTORA I AGONISTA BETA-2 ADRENORECEPTORA COMBINATIONS OF A MUSCARINIC RECEPTOR ANTAGONIST AND A BETA-2 ADRENORECEPTOR AGONIST
<b>A61K 31/444</b> (2006.01)	P20240739	SPOJEVI TRIAZOLOPIRIDINILA KAO INHIBITORI KINAZE TRIAZOLOPYRIDINYL COMPOUNDS AS KINASE INHIBITORS
<b>A61K 31/47</b> (2006.01)	P20240476	TETRADENTATNI KELATNI MONOKINOLINSKI DERIVAT, NAČIN NJEGOVE PROIZVODNJE, I PRIMJENA ISTOG KAO REGULATORA METALNIH IONA ZA NEURODEGENERATIVNE BOLESTI TETRADENTATE CHELATING MONOQUINOLINE DERIVATIVE, MANUFACTURING METHOD THEREOF, AND APPLICATION OF SAME AS METAL ION REGULATOR FOR NEURODEGENERATIVE DISEASE
<b>A61K 31/505</b> (2006.01)	P20240368	HETEROCIKLIČKI INHIBITORI ATR KINAZE HETEROCYCLIC INHIBITORS OF ATR KINASE
<b>A61K 31/506</b> (2006.01)	P20240743	POBOLJŠANI SINTETIČKI POSTUPCI ZA PROIZVODNJU FUZIJSKIH HETEROCIKLIČKIH SPOJEVA KAO MODULATORA OREKSINSKIH RECEPTORA IMPROVED SYNTHETIC METHODS OF MAKING FUSED HETEROCYCLIC COMPOUNDS AS OREXIN RECEPTOR MODULATORS
<b>A61K 31/519</b> (2006.01)	P20240689	POSTUPCI ZA OSIGURAVANJE PONOVDNE SUSPENZIJE FORMULACIJA PALIPERIDON PALMITATA METHODS FOR ENSURING RESUSPENSION OF PALIPERIDONE PALMITATE FORMULATIONS

MKP (51)	Broj patenta (11)	Naziv izuma (54)
<b>A61K 31/55</b> (2006.01)	P20240728	INHIBITORI NEUTRALNE ENDOPEPTIDAZE (NEP) I HUMANE TOPLJIVE ENDOPEPTIDAZE (HSEP) ZA PROFILAKSU I LIJEČENJE BOLESTI OKA NEUTRAL ENDOPEPTIDASE (NEP) AND HUMAN SOLUBLE ENDOPEPTIDASE (HSEP) INHIBITORS FOR PROPHYLAXIS AND TREATMENT OF EYE DISEASES
<b>A61K 31/573</b> (2006.01)	P20240400	DERIVAT KUMARINA, NAMIJENJENI TERAPIJI ILI PROFILAKSI POREMEĆAJA STANIČNE PROLIFERACIJE COUMARIN DERIVATIVE FOR THERAPY OR PROPHYLAXIS OF A CELL PROLIFERATIVE DISORDER
<b>A61K 31/58</b> (2006.01)	P20240725	PRIPRAVCI, POSTUPCI I SUSTAVI ZA OTPUŠTANJE AEROSOLNE DJELATNE TVARI COMPOSITIONS, METHODS AND SYSTEMS FOR AEROSOL DRUG DELIVERY
<b>A61K 31/675</b> (2006.01)	P20240728	INHIBITORI NEUTRALNE ENDOPEPTIDAZE (NEP) I HUMANE TOPLJIVE ENDOPEPTIDAZE (HSEP) ZA PROFILAKSU I LIJEČENJE BOLESTI OKA NEUTRAL ENDOPEPTIDASE (NEP) AND HUMAN SOLUBLE ENDOPEPTIDASE (HSEP) INHIBITORS FOR PROPHYLAXIS AND TREATMENT OF EYE DISEASES
<b>A61K 31/683</b> (2006.01)	P20240728	INHIBITORI NEUTRALNE ENDOPEPTIDAZE (NEP) I HUMANE TOPLJIVE ENDOPEPTIDAZE (HSEP) ZA PROFILAKSU I LIJEČENJE BOLESTI OKA NEUTRAL ENDOPEPTIDASE (NEP) AND HUMAN SOLUBLE ENDOPEPTIDASE (HSEP) INHIBITORS FOR PROPHYLAXIS AND TREATMENT OF EYE DISEASES
<b>A61K 31/731</b> (2006.01)	P20240712	ANTIVIRUSNI FARMACEUTSKI PRIPRAVAK KOJI SADRŽI NAJMANJE JEDAN SULFATIRANI POLISAHARID ANTIVIRAL PHARMACEUTICAL COMPOSITION COMPRISING AT LEAST ONE SULPHATE POLYSACCHARIDE
<b>A61K 35/17</b> (2015.01)	P20240714	GLIPIKAN 2 KAO MARKER RAKA I TERAPIJSKI CILJ GLYPICAN 2 AS A CANCER MARKER AND THERAPEUTIC TARGET
<b>A61K 38/05</b> (2006.01)	P20240728	INHIBITORI NEUTRALNE ENDOPEPTIDAZE (NEP) I HUMANE TOPLJIVE ENDOPEPTIDAZE (HSEP) ZA PROFILAKSU I LIJEČENJE BOLESTI OKA NEUTRAL ENDOPEPTIDASE (NEP) AND HUMAN SOLUBLE ENDOPEPTIDASE (HSEP) INHIBITORS FOR PROPHYLAXIS AND TREATMENT OF EYE DISEASES
<b>A61K 38/07</b> (2006.01)	P20240724	POSTUPCI KOMPLEKSIRANJA CIKLODEKSTRINA ZA FORMULIRANJE PEPTIDNIH INHIBITORA PROTEASOMA CYLODEXTRIN COMPLEXATION METHODS FOR FORMULATING PEPTIDE PROTEASOME INHIBITORS
<b>A61K 38/46</b> (2006.01)	P20240732	PROIZVODNJA AKTIVNIH VISOKO FOSFORILIRANIH LJUDSKIH ENZIMA LIZOSOMALNE SULFATAZE I NJIHOVA UPOTREBA MANUFACTURE OF ACTIVE HIGHLY PHOSPHORYLATED HUMAN LYSOSOMAL SULFATASE ENZYMES AND USES THEREOF
<b>A61K 39/00</b> (2006.01)	P20240714	GLIPIKAN 2 KAO MARKER RAKA I TERAPIJSKI CILJ GLYPICAN 2 AS A CANCER MARKER AND THERAPEUTIC TARGET
<b>A61K 39/00</b> (2006.01)	P20240722	MOLEKULA KOJA SE VEŽE NA ANTIGENE, KOJA SE MOŽE PONAVLJANO VEZATI NA DVJE ILI VIŠE MOLEKULA ANTIGENA ANTIGEN-BINDING MOLECULE CAPABLE OF BINDING TO TWO OR MORE ANTIGEN MOLECULES REPEATEDLY
<b>A61K 39/395</b> (2006.01)	P20240714	GLIPIKAN 2 KAO MARKER RAKA I TERAPIJSKI CILJ GLYPICAN 2 AS A CANCER MARKER AND THERAPEUTIC TARGET
<b>A61K 45/06</b> (2006.01)	P20240368	HETEROCIKLIČKI INHIBITORI ATR KINAZE HETEROCYCLIC INHIBITORS OF ATR KINASE
<b>A61K 45/06</b> (2006.01)	P20240688	KOMBINACIJE ANTAGONISTA MUSKARINSKIH RECEPTORA I AGONISTA BETA-2 ADRENORECEPTORA COMBINATIONS OF A MUSCARINIC RECEPTOR ANTAGONIST AND A BETA-2 ADRENORECEPTOR AGONIST
<b>A61K 45/06</b> (2006.01)	P20240714	GLIPIKAN 2 KAO MARKER RAKA I TERAPIJSKI CILJ GLYPICAN 2 AS A CANCER MARKER AND THERAPEUTIC TARGET
<b>A61K 47/26</b> (2006.01)	P20240689	POSTUPCI ZA OSIGURAVANJE PONOVDNE SUSPENZIJE FORMULACIJA PALIPERIDON PALMITATA METHODS FOR ENSURING RESUSPENSION OF PALIPERIDONE PALMITATE FORMULATIONS
<b>A61K 47/64</b> (2017.01)	P20240705	OLIGOMERNI KONJUGATI KOJI PRESKAČU EGZON ZA MIŠIČNU DISTROFIJU EXON SKIPPING OLIGOMER CONJUGATES FOR MUSCULAR DYSTROPHY
<b>A61K 47/68</b> (2017.01)	P20240714	GLIPIKAN 2 KAO MARKER RAKA I TERAPIJSKI CILJ GLYPICAN 2 AS A CANCER MARKER AND THERAPEUTIC TARGET
<b>A61K 47/69</b> (2017.01)	P20240714	GLIPIKAN 2 KAO MARKER RAKA I TERAPIJSKI CILJ GLYPICAN 2 AS A CANCER MARKER AND THERAPEUTIC TARGET
<b>A61K 47/69</b> (2017.01)	P20240724	POSTUPCI KOMPLEKSIRANJA CIKLODEKSTRINA ZA FORMULIRANJE PEPTIDNIH INHIBITORA PROTEASOMA CYLODEXTRIN COMPLEXATION METHODS FOR FORMULATING PEPTIDE PROTEASOME INHIBITORS
<b>A61K 9/00</b> (2006.01)	P20240689	POSTUPCI ZA OSIGURAVANJE PONOVDNE SUSPENZIJE FORMULACIJA PALIPERIDON PALMITATA METHODS FOR ENSURING RESUSPENSION OF PALIPERIDONE PALMITATE FORMULATIONS
<b>A61K 9/00</b> (2006.01)	P20240716	PRIPRAVCI, POSTUPCI I SUSTAVI ZA OTPUŠTANJE AEROSOLNE DJELATNE TVARI COMPOSITIONS, METHODS AND SYSTEMS FOR AEROSOL DRUG DELIVERY
<b>A61K 9/00</b> (2006.01)	P20240725	PRIPRAVCI, POSTUPCI I SUSTAVI ZA OTPUŠTANJE AEROSOLNE DJELATNE TVARI COMPOSITIONS, METHODS AND SYSTEMS FOR AEROSOL DRUG DELIVERY



MKP (51)	Broj patenta (11)	Naziv izuma (54)
<b>A61K 9/10</b> (2006.01)	P20240689	POSTUPCI ZA OSIGURAVANJE PONOVNE SUSPENZIJE FORMULACIJA PALIPERIDON PALMITATA METHODS FOR ENSURING RESUSPENSION OF PALIPERIDONE PALMITATE FORMULATIONS
<b>A61M 5/158</b> (2006.01)	P20240731	UREĐAJ ZA UBOD IGLOM NEEDLE PUNCTURE DEVICE
<b>A61M 5/162</b> (2006.01)	P20240731	UREĐAJ ZA UBOD IGLOM NEEDLE PUNCTURE DEVICE
<b>A61M 5/32</b> (2006.01)	P20240731	UREĐAJ ZA UBOD IGLOM NEEDLE PUNCTURE DEVICE
<b>A61P 1/00</b> (2006.01)	P20240725	PRIPRAVCI, POSTUPCI I SUSTAVI ZA OTPUŠTANJE AEROSOLNE DJELATNE TVARI COMPOSITIONS, METHODS AND SYSTEMS FOR AEROSOL DRUG DELIVERY
<b>A61P 11/06</b> (2006.01)	P20240688	KOMBINACIJE ANTAGONISTA MUSKARINSKIH RECEPTORA I AGONISTA BETA-2 ADRENORECEPTORA COMBINATIONS OF A MUSCARINIC RECEPTOR ANTAGONIST AND A BETA-2 ADRENORECEPTOR AGONIST
<b>A61P 11/08</b> (2006.01)	P20240688	KOMBINACIJE ANTAGONISTA MUSKARINSKIH RECEPTORA I AGONISTA BETA-2 ADRENORECEPTORA COMBINATIONS OF A MUSCARINIC RECEPTOR ANTAGONIST AND A BETA-2 ADRENORECEPTOR AGONIST
<b>A61P 17/06</b> (2006.01)	P20240739	SPOJEVI TRIAZOLOPIRIDINILA KAO INHIBITORI KINAZE TRIAZOLOPYRIDINYL COMPOUNDS AS KINASE INHIBITORS
<b>A61P 21/00</b> (2006.01)	P20240705	OLIGOMERNI KONJUGATI KOJI PRESKAČU EGZON ZA MIŠIĆNU DISTROFIJU EXON SKIPPING OLIGOMER CONJUGATES FOR MUSCULAR DYSTROPHY
<b>A61P 25/00</b> (2006.01)	P20240476	TETRADENTATNI KELATNI MONOKINOLINSKI DERIVAT, NAČIN NJEGOVE PROIZVODNJE, I PRIMJENA ISTOG KAO REGULATORA METALNIH IONA ZA NEURODEGENERATIVNE BOLESTI TETRADENTATE CHELATING MONOQUINOLINE DERIVATIVE, MANUFACTURING METHOD THEREOF, AND APPLICATION OF SAME AS METAL ION REGULATOR FOR NEURODEGENERATIVE DISEASE
<b>A61P 25/18</b> (2006.01)	P20240689	POSTUPCI ZA OSIGURAVANJE PONOVNE SUSPENZIJE FORMULACIJA PALIPERIDON PALMITATA METHODS FOR ENSURING RESUSPENSION OF PALIPERIDONE PALMITATE FORMULATIONS
<b>A61P 25/28</b> (2006.01)	P20240739	SPOJEVI TRIAZOLOPIRIDINILA KAO INHIBITORI KINAZE TRIAZOLOPYRIDINYL COMPOUNDS AS KINASE INHIBITORS
<b>A61P 27/02</b> (2006.01)	P20240728	INHIBITORI NEUTRALNE ENDOPEPTIDAZE (NEP) I HUMANE TOPLJIVE ENDOPEPTIDAZE (HSEP) ZA PROFILAKSU I LIJEČENJE BOLESTI OKA NEUTRAL ENDOPEPTIDASE (NEP) AND HUMAN SOLUBLE ENDOPEPTIDASE (HSEP) INHIBITORS FOR PROPHYLAXIS AND TREATMENT OF EYE DISEASES
<b>A61P 29/00</b> (2006.01)	P20240739	SPOJEVI TRIAZOLOPIRIDINILA KAO INHIBITORI KINAZE TRIAZOLOPYRIDINYL COMPOUNDS AS KINASE INHIBITORS
<b>A61P 31/14</b> (2006.01)	P20240712	ANTIVIRUSNI FARMACEUTSKI PRIPRAVAK KOJI SADRŽI NAJMANJE JEDAN SULFATIRANI POLISAHARID ANTIVIRAL PHARMACEUTICAL COMPOSITION COMPRISING AT LEAST ONE SULPHATE POLYSACCHARIDE
<b>A61P 31/14</b> (2006.01)	P20240733	SPOJEVI I POSTUPCI ZA LIJEČENJE VIRUSNIH INFEKCIJA COMPOUNDS AND METHODS FOR TREATMENT OF VIRAL INFECTIONS
<b>A61P 35/00</b> (2006.01)	P20240368	HETEROCIKLIČKI INHIBITORI ATR KINAZE HETEROCYCLIC INHIBITORS OF ATR KINASE
<b>A61P 35/00</b> (2006.01)	P20240400	DERIVAT KUMARINA, NAMIJENJENI TERAPIJI ILI PROFILAKSI POREMEĆAJA STANIČNE PROLIFERACIJE COUMARIN DERIVATIVE FOR THERAPY OR PROPHYLAXIS OF A CELL PROLIFERATIVE DISORDER
<b>A61P 35/00</b> (2006.01)	P20240714	GLIPIKAN 2 KAO MARKER RAKA I TERAPIJSKI CILJ GLYPIKAN 2 AS A CANCER MARKER AND THERAPEUTIC TARGET
<b>A61P 35/00</b> (2006.01)	P20240724	POSTUPCI KOMPLEKSIRANJA CIKLODEKSTRINA ZA FORMULIRANJE PEPTIDNIH INHIBITORA PROTEASOMA CYCLODEXTRIN COMPLEXATION METHODS FOR FORMULATING PEPTIDE PROTEASOME INHIBITORS
<b>A61P 35/00</b> (2006.01)	P20240734	MOLEKULE VEZANE NA BISPECIFIČNE ANTIGENE KOJI AKTIVIRAJU T STANICE BISPECIFIC T CELL ACTIVATING ANTIGEN BINDING MOLECULES
<b>A61P 35/04</b> (2006.01)	P20240400	DERIVAT KUMARINA, NAMIJENJENI TERAPIJI ILI PROFILAKSI POREMEĆAJA STANIČNE PROLIFERACIJE COUMARIN DERIVATIVE FOR THERAPY OR PROPHYLAXIS OF A CELL PROLIFERATIVE DISORDER
<b>A61P 9/04</b> (2006.01)	P20240739	SPOJEVI TRIAZOLOPIRIDINILA KAO INHIBITORI KINAZE TRIAZOLOPYRIDINYL COMPOUNDS AS KINASE INHIBITORS
<b>B07B 1/40</b> (2006.01)	P20240555	UREĐAJ I POSTUPAK ZA PROIZVODNJU HRANE ZA STOKU A DEVICE AND METHOD FOR PRODUCING FEED FOR LIVESTOCK
<b>B26D 7/01</b> (2006.01)	P20240479	MODULARNI POTPORNII ELEMENT ZA USISNO REZANJE U AUTOMATSKOM STROJU ZA REZANJE TANKOG MATERIJALA MODULAR ELEMENT FOR SUCTION CUTTING BED IN AN AUTOMATIC MACHINE FOR CUTTING SHEET MATERIAL

MKP (51)	Broj patenta (11)	Naziv izuma (54)
<b>B26D 7/06</b> (2006.01)	P20240479	MODULARNI POTPORNII ELEMENT ZA USISNO REZANJE U AUTOMATSKOM STROJU ZA REZANJE TANKOG MATERIJALA MODULAR ELEMENT FOR SUCTION CUTTING BED IN AN AUTOMATIC MACHINE FOR CUTTING SHEET MATERIAL
<b>B26D 7/20</b> (2006.01)	P20240479	MODULARNI POTPORNII ELEMENT ZA USISNO REZANJE U AUTOMATSKOM STROJU ZA REZANJE TANKOG MATERIJALA MODULAR ELEMENT FOR SUCTION CUTTING BED IN AN AUTOMATIC MACHINE FOR CUTTING SHEET MATERIAL
<b>B29C 73/10</b> (2006.01)	P20240745	ZAKRPA ZA POPRAVAK ELASTOMERNE KOMPONENTE S POBOLJŠANIM SPOJNIM SLOJEM REPAIR PATCH FOR AN ELASTOMER COMPONENT WITH AN IMPROVED CONNECTION LAYER
<b>B32B 15/12</b> (2006.01)	P20240691	PLOČA KOJA USPORAVA ŠIRENJE POŽARA FIRE RETARDANT BOARD
<b>B32B 15/20</b> (2006.01)	P20240691	PLOČA KOJA USPORAVA ŠIRENJE POŽARA FIRE RETARDANT BOARD
<b>B32B 29/08</b> (2006.01)	P20240691	PLOČA KOJA USPORAVA ŠIRENJE POŽARA FIRE RETARDANT BOARD
<b>B32B 3/12</b> (2006.01)	P20240691	PLOČA KOJA USPORAVA ŠIRENJE POŽARA FIRE RETARDANT BOARD
<b>B32B 9/06</b> (2006.01)	P20240691	PLOČA KOJA USPORAVA ŠIRENJE POŽARA FIRE RETARDANT BOARD
<b>B63B 59/08</b> (2006.01)	P20240711	ROBOT, SUSTAV I METODA PODVODNOG NADZORA I ODRŽAVANJA TRUPA BRODA A ROBOT, SYSTEM AND A METHOD FOR UNDERWATER MONITORING AND MAINTENANCE OF A SHIP'S HULL
<b>B65B 13/18</b> (2006.01)	P20240620	BUBANJ ZA NAMATANJE U APARATU ZA VEZANJE REEL FOR BINDING MACHINE
<b>B65B 13/28</b> (2006.01)	P20240620	BUBANJ ZA NAMATANJE U APARATU ZA VEZANJE REEL FOR BINDING MACHINE
<b>B65B 13/32</b> (2006.01)	P20240620	BUBANJ ZA NAMATANJE U APARATU ZA VEZANJE REEL FOR BINDING MACHINE
<b>B66F 9/075</b> (2006.01)	P20240693	TELESKOPSKI UTOVARIVAČ SA UNAPRIJEDENOM KABINOM TELEHANDLER WITH IMPROVED CAB
<b>B82Y 5/00</b> (2011.01)	P20240724	POSTUPCI KOMPLEKSIRANJA CIKLODEKSTRINA ZA FORMULIRANJE PEPTIDNIH INHIBITORA PROTEASOMA CYCLODEXTRIN COMPLEXATION METHODS FOR FORMULATING PEPTIDE PROTEASOME INHIBITORS
<b>C06B 25/20</b> (2006.01)	P20240729	PRIPRAVAK ZA JEDNOBAZNI POTISNI PRAH ZA STRELJIVO I STRELJIVO S TAKVIM PRIPRAVKOM COMPOSITION FOR SINGLE-BASE PROPELLING POWDER FOR AMMUNITION AND AMMUNITION PROVIDED WITH SUCH COMPOSITION
<b>C06B 45/10</b> (2006.01)	P20240729	PRIPRAVAK ZA JEDNOBAZNI POTISNI PRAH ZA STRELJIVO I STRELJIVO S TAKVIM PRIPRAVKOM COMPOSITION FOR SINGLE-BASE PROPELLING POWDER FOR AMMUNITION AND AMMUNITION PROVIDED WITH SUCH COMPOSITION
<b>C07D 215/40</b> (2006.01)	P20240476	TETRADENTATNI KELATNI MONOKINOLINSKI DERIVAT, NAČIN NJEGOVE PROIZVODNJE, I PRIMJENA ISTOG KAO REGULATORA METALNIH IONA ZA NEURODEGENERATIVNE BOLESTI TETRADENTATE CHELATING MONOQUINOLINE DERIVATIVE, MANUFACTURING METHOD THEREOF, AND APPLICATION OF SAME AS METAL ION REGULATOR FOR NEURODEGENERATIVE DISEASE
<b>C07D 263/08</b> (2006.01)	P20240743	POBOLJŠANI SINTETIČKI POSTUPCI ZA PROIZVODNJU FUZIJSKIH HETEROCIKLIČKIH SPOJEVA KAO MODULATORA OREKSINSKIH RECEPTORA IMPROVED SYNTHETIC METHODS OF MAKING FUSED HETEROCYCLIC COMPOUNDS AS OREXIN RECEPTOR MODULATORS
<b>C07D 411/14</b> (2006.01)	P20240368	HETEROCIKLIČKI INHIBITORI ATR KINAZE HETEROCYCLIC INHIBITORS OF ATR KINASE
<b>C07D 413/04</b> (2006.01)	P20240368	HETEROCIKLIČKI INHIBITORI ATR KINAZE HETEROCYCLIC INHIBITORS OF ATR KINASE
<b>C07D 413/14</b> (2006.01)	P20240368	HETEROCIKLIČKI INHIBITORI ATR KINAZE HETEROCYCLIC INHIBITORS OF ATR KINASE
<b>C07D 417/14</b> (2006.01)	P20240368	HETEROCIKLIČKI INHIBITORI ATR KINAZE HETEROCYCLIC INHIBITORS OF ATR KINASE
<b>C07D 471/04</b> (2006.01)	P20240368	HETEROCIKLIČKI INHIBITORI ATR KINAZE HETEROCYCLIC INHIBITORS OF ATR KINASE
<b>C07D 471/04</b> (2006.01)	P20240739	SPOJEVI TRIAZOLOPIRIDINILA KAO INHIBITORI KINAZE TRIAZOLOPYRIDINYL COMPOUNDS AS KINASE INHIBITORS
<b>C07D 487/04</b> (2006.01)	P20240733	SPOJEVI I POSTUPCI ZA LIJEČENJE VIRUSNIH INFEKCIJA COMPOUNDS AND METHODS FOR TREATMENT OF VIRAL INFECTIONS
<b>C07D 487/04</b> (2006.01)	P20240743	POBOLJŠANI SINTETIČKI POSTUPCI ZA PROIZVODNJU FUZIJSKIH HETEROCIKLIČKIH SPOJEVA KAO MODULATORA OREKSINSKIH RECEPTORA IMPROVED SYNTHETIC METHODS OF MAKING FUSED HETEROCYCLIC COMPOUNDS AS OREXIN RECEPTOR MODULATORS
<b>C07K 16/06</b> (2006.01)	P20240744	KAPILARNA GEL ELEKTROFOREZA I NJEZINA UPOTREBA S KOMPLEKSNIM BIOLOŠKIM MOLEKULAMA CAPILLARY GEL ELECTROPHORESIS AND ITS USE WITH COMPLEX BIOLOGICAL MOLECULES

MKP (51)	Broj patenta (11)	Naziv izuma (54)
<b>C07K 16/18</b> (2006.01)	P20240714	GLIPIKAN 2 KAO MARKER RAKA I TERAPIJSKI CILJ GLYPICAN 2 AS A CANCER MARKER AND THERAPEUTIC TARGET
<b>C07K 16/24</b> (2006.01)	P20240722	MOLEKULA KOJA SE VEŽE NA ANTIGENE, KOJA SE MOŽE PONAVLJANO VEZATI NA DVJE ILI VIŠE MOLEKULA ANTIGENA ANTIGEN-BINDING MOLECULE CAPABLE OF BINDING TO TWO OR MORE ANTIGEN MOLECULES REPEATEDLY
<b>C07K 16/28</b> (2006.01)	P20240722	MOLEKULA KOJA SE VEŽE NA ANTIGENE, KOJA SE MOŽE PONAVLJANO VEZATI NA DVJE ILI VIŠE MOLEKULA ANTIGENA ANTIGEN-BINDING MOLECULE CAPABLE OF BINDING TO TWO OR MORE ANTIGEN MOLECULES REPEATEDLY
<b>C07K 16/28</b> (2006.01)	P20240734	MOLEKULE VEZANE NA BISPECIFIČNE ANTIGENE KOJI AKTIVIRAJU T STANICE BISPECIFIC T CELL ACTIVATING ANTIGEN BINDING MOLECULES
<b>C07K 16/30</b> (2006.01)	P20240714	GLIPIKAN 2 KAO MARKER RAKA I TERAPIJSKI CILJ GLYPICAN 2 AS A CANCER MARKER AND THERAPEUTIC TARGET
<b>C07K 16/30</b> (2006.01)	P20240734	MOLEKULE VEZANE NA BISPECIFIČNE ANTIGENE KOJI AKTIVIRAJU T STANICE BISPECIFIC T CELL ACTIVATING ANTIGEN BINDING MOLECULES
<b>C07K 16/32</b> (2006.01)	P20240734	MOLEKULE VEZANE NA BISPECIFIČNE ANTIGENE KOJI AKTIVIRAJU T STANICE BISPECIFIC T CELL ACTIVATING ANTIGEN BINDING MOLECULES
<b>C12N 15/10</b> (2006.01)	P20240722	MOLEKULA KOJA SE VEŽE NA ANTIGENE, KOJA SE MOŽE PONAVLJANO VEZATI NA DVJE ILI VIŠE MOLEKULA ANTIGENA ANTIGEN-BINDING MOLECULE CAPABLE OF BINDING TO TWO OR MORE ANTIGEN MOLECULES REPEATEDLY
<b>C12N 9/16</b> (2006.01)	P20240732	PROIZVODNJA AKTIVNIH VISOKO FOSFORILIRANIH LJUDSKIH ENZIMA LIZOSOMALNE SULFATAZE I NJIHOVA UPOTREBA MANUFACTURE OF ACTIVE HIGHLY PHOSPHORYLATED HUMAN LYSOSOMAL SULFATASE ENZYMES AND USES THEREOF
<b>C12P 21/00</b> (2006.01)	P20240732	PROIZVODNJA AKTIVNIH VISOKO FOSFORILIRANIH LJUDSKIH ENZIMA LIZOSOMALNE SULFATAZE I NJIHOVA UPOTREBA MANUFACTURE OF ACTIVE HIGHLY PHOSPHORYLATED HUMAN LYSOSOMAL SULFATASE ENZYMES AND USES THEREOF
<b>C12P 21/08</b> (2006.01)	P20240714	GLIPIKAN 2 KAO MARKER RAKA I TERAPIJSKI CILJ GLYPICAN 2 AS A CANCER MARKER AND THERAPEUTIC TARGET
<b>D04B 1/12</b> (2006.01)	P20240727	GORNJIŠTE ZA CIPELE I POSTUPAK IZRADE GORNJIŠTA UPPER AND METHOD FOR THE MANUFACTURE OF AN UPPER
<b>D21F 3/04</b> (2006.01)	P20240530	POGONSKI SKLOP I POGONSKI SKLOP ZA PREŠU S DVOSTRUKIM SITOM DRIVE ARRANGEMENT, AND DRIVE ARRANGEMENT FOR A TWIN-WIRE PRESS
<b>D21F 7/02</b> (2006.01)	P20240530	POGONSKI SKLOP I POGONSKI SKLOP ZA PREŠU S DVOSTRUKIM SITOM DRIVE ARRANGEMENT, AND DRIVE ARRANGEMENT FOR A TWIN-WIRE PRESS
<b>D21F 9/00</b> (2006.01)	P20240530	POGONSKI SKLOP I POGONSKI SKLOP ZA PREŠU S DVOSTRUKIM SITOM DRIVE ARRANGEMENT, AND DRIVE ARRANGEMENT FOR A TWIN-WIRE PRESS
<b>D21G 1/02</b> (2006.01)	P20240530	POGONSKI SKLOP I POGONSKI SKLOP ZA PREŠU S DVOSTRUKIM SITOM DRIVE ARRANGEMENT, AND DRIVE ARRANGEMENT FOR A TWIN-WIRE PRESS
<b>D21H 21/34</b> (2006.01)	P20240691	PLOČA KOJA USPORAVA ŠIRENJE POŽARA FIRE RETARDANT BOARD
<b>D21H 27/30</b> (2006.01)	P20240691	PLOČA KOJA USPORAVA ŠIRENJE POŽARA FIRE RETARDANT BOARD
<b>E04G 21/12</b> (2006.01)	P20240620	BUBANJ ZA NAMATANJE U APARATU ZA VEZANJE REEL FOR BINDING MACHINE
<b>F23D 14/02</b> (2006.01)	P20240715	GLAVA ZA IZGARANJE PLAMENIKA COMBUSTION HEAD FOR A BURNER
<b>F23D 14/24</b> (2006.01)	P20240715	GLAVA ZA IZGARANJE PLAMENIKA COMBUSTION HEAD FOR A BURNER
<b>F41A 11/00</b> (2006.01)	P20240723	BLOKADA ZA UGRADNJU U MODUL OKVIRA PIŠTOLJA LOCKING DEVICE FOR MOUNTING IN A FRAME MODULE FOR A HANDGUN
<b>F41A 3/64</b> (2006.01)	P20240723	BLOKADA ZA UGRADNJU U MODUL OKVIRA PIŠTOLJA LOCKING DEVICE FOR MOUNTING IN A FRAME MODULE FOR A HANDGUN
<b>F41C 3/00</b> (2006.01)	P20240723	BLOKADA ZA UGRADNJU U MODUL OKVIRA PIŠTOLJA LOCKING DEVICE FOR MOUNTING IN A FRAME MODULE FOR A HANDGUN
<b>G01G 19/40</b> (2006.01)	P20240555	UREĐAJ I POSTUPAK ZA PROIZVODNJU HRANE ZA STOKU A DEVICE AND METHOD FOR PRODUCING FEED FOR LIVESTOCK
<b>G01M 3/18</b> (2006.01)	P20240690	TESTNI UREĐAJ ZA ISPITIVANJE BRTVLJENJA TESTING DEVICE FOR TESTING FLUID TIGHTNESS
<b>G01N 15/02</b> (2024.01)	P20240555	UREĐAJ I POSTUPAK ZA PROIZVODNJU HRANE ZA STOKU A DEVICE AND METHOD FOR PRODUCING FEED FOR LIVESTOCK
<b>G01N 27/447</b> (2006.01)	P20240744	KAPILARNA GEL ELEKTROFOREZA I NJEZINA UPOTREBA S KOMPLEKSNIM BIOLOŠKIM MOLEKULAMA CAPILLARY GEL ELECTROPHORESIS AND ITS USE WITH COMPLEX BIOLOGICAL MOLECULES
<b>G01N 33/15</b> (2006.01)	P20240722	MOLEKULA KOJA SE VEŽE NA ANTIGENE, KOJA SE MOŽE PONAVLJANO VEZATI NA DVJE ILI VIŠE MOLEKULA ANTIGENA ANTIGEN-BINDING MOLECULE CAPABLE OF BINDING TO TWO OR MORE ANTIGEN MOLECULES REPEATEDLY
<b>G01N 33/50</b> (2006.01)	P20240722	MOLEKULA KOJA SE VEŽE NA ANTIGENE, KOJA SE MOŽE PONAVLJANO VEZATI NA DVJE ILI VIŠE MOLEKULA ANTIGENA ANTIGEN-BINDING MOLECULE CAPABLE OF BINDING TO TWO OR MORE ANTIGEN MOLECULES REPEATEDLY

MKP (51)	Broj patenta (11)	Naziv izuma (54)
<b>G01N 33/68</b> (2006.01)	P20240722	MOLEKULA KOJA SE VEŽE NA ANTIGENE, KOJA SE MOŽE PONAVLJANO VEZATI NA DVJE ILI VIŠE MOLEKULA ANTIGENA ANTIGEN-BINDING MOLECULE CAPABLE OF BINDING TO TWO OR MORE ANTIGEN MOLECULES REPEATEDLY
<b>G01N 5/04</b> (2006.01)	P20240555	UREĐAJ I POSTUPAK ZA PROIZVODNJU HRANE ZA STOKU A DEVICE AND METHOD FOR PRODUCING FEED FOR LIVESTOCK
<b>H01F 27/28</b> (2006.01)	P20240687	SKLOPOVI INDUKTORA INDUCTOR ASSEMBLIES
<b>H01F 27/32</b> (2006.01)	P20240687	SKLOPOVI INDUKTORA INDUCTOR ASSEMBLIES
<b>H01F 37/00</b> (2006.01)	P20240687	SKLOPOVI INDUKTORA INDUCTOR ASSEMBLIES
<b>H04H 20/30</b> (2008.01)	P20240730	UREĐAJ ZA PRIJENOS I PRIMANJE PODATAKA O USLUZI EMITIRANJA U SUSTAVU KOMUNIKACIJE EMITIRANJA APPARATUS FOR TRANSMITTING AND RECEIVING BROADCAST SERVICE DATA IN A BROADCASTING COMMUNICATION SYSTEM
<b>H04H 20/42</b> (2008.01)	P20240730	UREĐAJ ZA PRIJENOS I PRIMANJE PODATAKA O USLUZI EMITIRANJA U SUSTAVU KOMUNIKACIJE EMITIRANJA APPARATUS FOR TRANSMITTING AND RECEIVING BROADCAST SERVICE DATA IN A BROADCASTING COMMUNICATION SYSTEM
<b>H04R 15/00</b> (2006.01)	P20240740	HIBRIDNI UREĐAJ ZA AKUSTIČNO ZRAČENJE ZA VIBRIRANJE TEŠKE KRUTE PLOČE NA AUDIO FREKVENCIJAMA HYBRID SOUND RADIATION DEVICE FOR VIBRATING A HEAVY-WEIGHT RIGID PLATE AT AUDIO FREQUENCIES
<b>H04R 23/02</b> (2006.01)	P20240740	HIBRIDNI UREĐAJ ZA AKUSTIČNO ZRAČENJE ZA VIBRIRANJE TEŠKE KRUTE PLOČE NA AUDIO FREKVENCIJAMA HYBRID SOUND RADIATION DEVICE FOR VIBRATING A HEAVY-WEIGHT RIGID PLATE AT AUDIO FREQUENCIES
<b>H04R 7/04</b> (2006.01)	P20240740	HIBRIDNI UREĐAJ ZA AKUSTIČNO ZRAČENJE ZA VIBRIRANJE TEŠKE KRUTE PLOČE NA AUDIO FREKVENCIJAMA HYBRID SOUND RADIATION DEVICE FOR VIBRATING A HEAVY-WEIGHT RIGID PLATE AT AUDIO FREQUENCIES
<b>H04R 9/06</b> (2006.01)	P20240740	HIBRIDNI UREĐAJ ZA AKUSTIČNO ZRAČENJE ZA VIBRIRANJE TEŠKE KRUTE PLOČE NA AUDIO FREKVENCIJAMA HYBRID SOUND RADIATION DEVICE FOR VIBRATING A HEAVY-WEIGHT RIGID PLATE AT AUDIO FREQUENCIES

## Kazalo nositelja europskih патената

Nositelj патента (73)	MKP (51)	Broj патента (11)	Naziv izuma (54)
AB Medica S.p.A., IT	<b>A61G 13/12</b> (2006.01)	P20240607	POTPORNA NAPRAVA U OBLIKU PODLOGE, UGLAVNOM ZA UPORABU NA MEDICINSKOM KREVETU
AMVALOR, FR	<b>B26D 7/01</b> (2006.01) <b>B26D 7/06</b> (2006.01) <b>B26D 7/20</b> (2006.01)	P20240479	MODULARNI POTPORNI ELEMENT ZA USISNO REZANJE U AUTOMATSKOM STROJU ZA REZANJE TANKOG MATERIJALA
Andritz AG, AT	<b>D21F 3/04</b> (2006.01) <b>D21F 7/02</b> (2006.01) <b>D21F 9/00</b> (2006.01) <b>D21G 1/02</b> (2006.01)	P20240530	POGONSKI SKLOP I POGONSKI SKLOP ZA PREŠU S DVOSTRUKIM SITOM
ARES TRADING S.A., CH	<b>G01N 27/447</b> (2006.01) <b>C07K 16/06</b> (2006.01)	P20240744	KAPILARNA GEL ELEKTROFOREZA I NJEZINA UPOTREBA S KOMPLEKSNIМ BIOLOŠKIM MOLEKULAMA
AstraZeneca Pharmaceuticals LP, US	<b>A61K 9/00</b> (2006.01)	P20240716	PRIPRAVCI, POSTUPCI I SUSTAVI ZA OTPUŠTANJE AEROSOLNE DJELATNE TVARI
AstraZeneca Pharmaceuticals LP, US	<b>A61K 9/00</b> (2006.01) <b>A61K 31/167</b> (2006.01) <b>A61K 31/40</b> (2006.01) <b>A61K 31/58</b> (2006.01) <b>A61P 1/00</b> (2006.01)	P20240725	PRIPRAVCI, POSTUPCI I SUSTAVI ZA OTPUŠTANJE AEROSOLNE DJELATNE TVARI
BioMarin Pharmaceutical Inc., US	<b>C12N 9/16</b> (2006.01) <b>C12P 21/00</b> (2006.01) <b>A61K 38/46</b> (2006.01)	P20240732	PROIZVODNJA AKTIVNIH VISOKO FOSFORILIRANIH LJUDSKIH ENZIMA LIZOSOMALNE SULFATAZE I NJIHOVA UPOTREBA
Board of Regents, The University of Texas System, US	<b>C07D 417/14</b> (2006.01) <b>C07D 413/14</b> (2006.01) <b>A61P 35/00</b> (2006.01) <b>A61K 31/505</b> (2006.01) <b>A61K 45/06</b> (2006.01) <b>C07D 411/14</b> (2006.01) <b>C07D 413/04</b> (2006.01) <b>C07D 471/04</b> (2006.01)	P20240368	HETEROCIKLIČKI INHIBITORI ATR KINAZE
Bristol-Myers Squibb Company, US	<b>C07D 471/04</b> (2006.01) <b>A61P 9/04</b> (2006.01) <b>A61P 17/06</b> (2006.01) <b>A61P 25/28</b> (2006.01) <b>A61P 29/00</b> (2006.01) <b>A61K 31/437</b> (2006.01) <b>A61K 31/444</b> (2006.01)	P20240739	SPOJEVI TRIAZOLOPIRIDINILA KAO INHIBITORI KINAZE
Centre National de la Recherche Scientifique, FR	<b>C07D 215/40</b> (2006.01) <b>A61K 31/47</b> (2006.01) <b>A61P 25/00</b> (2006.01)	P20240476	TETRADENTATNI KELATNI MONOKINOLINSKI DERIVAT, NAČIN NJEGOVE PROIZVODNJE, I PRIMJENA ISTOG KAO REGULATORA METALNIH IONA ZA NEURODEGENERATIVNE BOLESTI
Centre National de la Recherche Scientifique, FR	<b>B26D 7/01</b> (2006.01) <b>B26D 7/06</b> (2006.01) <b>B26D 7/20</b> (2006.01)	P20240479	MODULARNI POTPORNI ELEMENT ZA USISNO REZANJE U AUTOMATSKOM STROJU ZA REZANJE TANKOG MATERIJALA
Chempartner Corporation, US	<b>C07D 417/14</b> (2006.01) <b>C07D 413/14</b> (2006.01) <b>A61P 35/00</b> (2006.01) <b>A61K 31/505</b> (2006.01) <b>A61K 45/06</b> (2006.01) <b>C07D 411/14</b> (2006.01) <b>C07D 413/04</b> (2006.01) <b>C07D 471/04</b> (2006.01)	P20240368	HETEROCIKLIČKI INHIBITORI ATR KINAZE
Chugai Seiyaku Kabushiki Kaisha, JP	<b>C07K 16/28</b> (2006.01) <b>C07K 16/24</b> (2006.01) <b>G01N 33/68</b> (2006.01) <b>G01N 33/15</b> (2006.01) <b>G01N 33/50</b> (2006.01) <b>C12N 15/10</b> (2006.01) <b>A61K 39/00</b> (2006.01)	P20240722	MOLEKULA KOJA SE VEŽE NA ANTIGENE, KOJA SE MOŽE PONAВLJANO VEZATI NA DVJE ILI VIŠE MOLEKULA ANTIGENA
Conservatoire National des Arts et Métiers, FR	<b>B26D 7/01</b> (2006.01) <b>B26D 7/06</b> (2006.01) <b>B26D 7/20</b> (2006.01)	P20240479	MODULARNI POTPORNI ELEMENT ZA USISNO REZANJE U AUTOMATSKOM STROJU ZA REZANJE TANKOG MATERIJALA
Ecole Nationale Supérieure d'Arts et Métiers (ENSAM), FR	<b>B26D 7/01</b> (2006.01) <b>B26D 7/06</b> (2006.01) <b>B26D 7/20</b> (2006.01)	P20240479	MODULARNI POTPORNI ELEMENT ZA USISNO REZANJE U AUTOMATSKOM STROJU ZA REZANJE TANKOG MATERIJALA
E. Hawle Armaturenwerke GmbH, AT	<b>G01M 3/18</b> (2006.01)	P20240690	TESTNI UREĐAJ ZA ISPITIVANJE BRTVLJENJA
F. HOFFMANN - LA ROCHE AG, CH	<b>C07K 16/28</b> (2006.01) <b>C07K 16/30</b> (2006.01) <b>C07K 16/32</b> (2006.01) <b>A61P 35/00</b> (2006.01)	P20240734	MOLEKULE VEZANE NA BISPECIFIČNE ANTIGENE KOJI AKTIVIRAJU T STANICE

Nositelj patenta (73)	MKP (51)	Broj patenta (11)	Naziv izuma (54)
Gemtier Medical (Shanghai) Inc., CN	<b>A61M 5/162</b> (2006.01) <b>A61M 5/158</b> (2006.01) <b>A61M 5/32</b> (2006.01)	P20240731	UREĐAJ ZA UBOD IGLOM
GILEAD SCIENCES, INC., US	<b>C07D 487/04</b> (2006.01) <b>A61P 31/14</b> (2006.01)	P20240733	SPOJEVI I POSTUPCI ZA LIJEČENJE VIRUSNIH INFEKCIJA
GLAXO GROUP LIMITED, GB	<b>A61K 31/138</b> (2006.01) <b>A61K 31/439</b> (2006.01) <b>A61K 45/06</b> (2006.01) <b>A61P 11/06</b> (2006.01) <b>A61P 11/08</b> (2006.01)	P20240688	KOMBINACIJE ANTAGONISTA MUSKARINSKIH RECEPTORA I AGONISTA BETA-2 ADRENORECEPTORA
Glock Technology GmbH, AT	<b>F41A 11/00</b> (2006.01) <b>F41A 3/64</b> (2006.01) <b>F41C 3/00</b> (2006.01)	P20240723	BLOKADA ZA UGRADNJU U MODUL OKVIRA PIŠTOLJA
Guangdong University Of Technology, CN	<b>C07D 215/40</b> (2006.01) <b>A61K 31/47</b> (2006.01) <b>A61P 25/00</b> (2006.01)	P20240476	TETRADENTATNI KELATNI MONOKINOLINSKI DERIVAT, NAČIN NJEGOVE PROIZVODNJE, I PRIMJENA ISTOG KAO REGULATORA METALNIH IONA ZA NEURODEGENERATIVNE BOLESTI
Janssen Pharmaceutica N.V., BE	<b>A61K 31/506</b> (2006.01) <b>C07D 263/08</b> (2006.01) <b>C07D 487/04</b> (2006.01)	P20240743	POBOLJŠANI SINTETIČKI POSTUPCI ZA PROIZVODNJU FUZIJSKIH HETEROCIKLIČKIH SPOJEVA KAO MODULATORA OREKSINSKIH RECEPTORA
Janssen Pharmaceutica NV, BE	<b>A61K 9/00</b> (2006.01) <b>A61K 9/10</b> (2006.01) <b>A61K 31/519</b> (2006.01) <b>A61K 47/26</b> (2006.01) <b>A61P 25/18</b> (2006.01)	P20240689	POSTUPCI ZA OSIGURAVANJE PONOVNE SUSPENZIJE FORMULACIJA PALIPERIDON PALMITATA
KNDS AMMO ITALY S.P.A., IT	<b>C06B 45/10</b> (2006.01) <b>C06B 25/20</b> (2006.01)	P20240729	PRIPRAVAK ZA JEDNOBAZNI POTISNI PRAH ZA STRELJIVO I STRELJIVO S TAKVIM PRIPRAVKOM
Lectra, FR	<b>B26D 7/01</b> (2006.01) <b>B26D 7/06</b> (2006.01) <b>B26D 7/20</b> (2006.01)	P20240479	MODULARNI POTPORNI ELEMENT ZA USISNO REZANJE U AUTOMATSKOM STROJU ZA REZANJE TANKOG MATERIJALA
Lonati S.p.A., IT	<b>A43B 1/04</b> (2022.01) <b>A43B 23/02</b> (2006.01) <b>A43B 23/04</b> (2006.01) <b>D04B 1/12</b> (2006.01)	P20240727	GORNJIŠTE ZA CIPELE I POSTUPAK IZRADE GORNJIŠTA
Manitou Italia S.r.l., IT	<b>B66F 9/075</b> (2006.01)	P20240693	TELESKOPSKI UTOVARIVAČ SA UNAPRIJEĐENOM KABINOM
Marinomed Biotech AG, AT	<b>A61K 31/731</b> (2006.01) <b>A61P 31/14</b> (2006.01)	P20240712	ANTIVIRUSNI FARMACEUTSKI PRIPRAVAK KOJI SADRŽI NAJMANJE JEDAN SULFATIRANI POLISAHARID
Max Co., Ltd., JP	<b>B65B 13/18</b> (2006.01) <b>B65B 13/28</b> (2006.01) <b>E04G 21/12</b> (2006.01) <b>B65B 13/32</b> (2006.01)	P20240620	BUBANJ ZA NAMATANJE U APARATU ZA VEZANJE
Onyx Therapeutics, Inc., US	<b>A61K 47/69</b> (2017.01) <b>A61K 38/07</b> (2006.01) <b>B82Y 5/00</b> (2011.01) <b>A61P 35/00</b> (2006.01)	P20240724	POSTUPCI KOMPLEKSIRANJA CIKLODEKSTRINA ZA FORMULIRANJE PEPTIDNIH INHIBITORA PROTEASOMA
Raycap, S.A., GR	<b>H01F 27/28</b> (2006.01) <b>H01F 37/00</b> (2006.01) <b>H01F 27/32</b> (2006.01)	P20240687	SKLOPOVI INDUKTORA
Re-Board Technology AB, SE	<b>D21H 21/34</b> (2006.01) <b>B32B 3/12</b> (2006.01) <b>B32B 9/06</b> (2006.01) <b>B32B 15/12</b> (2006.01) <b>B32B 15/20</b> (2006.01) <b>B32B 29/08</b> (2006.01) <b>D21H 27/30</b> (2006.01)	P20240691	PLOČA KOJA USPORAVA ŠIRENJE POŽARA
Rema Tip Top AG, DE	<b>B29C 73/10</b> (2006.01)	P20240745	ZAKRPA ZA POPRAVAK ELASTOMERNE KOMPONENTE S POBOLJŠANIM SPOJNIM SLOJEM
Riello S.p.A., IT	<b>F23D 14/02</b> (2006.01) <b>F23D 14/24</b> (2006.01)	P20240715	GLAVA ZA IZGARANJE PLAMENIKA
Samsung Electronics Co., Ltd., KR	<b>H04H 20/30</b> (2008.01) <b>H04H 20/42</b> (2008.01)	P20240730	UREĐAJ ZA PRIJENOS I PRIMANJE PODATAKA O USLUZI EMITIRANJA U SUSTAVU KOMUNIKACIJE EMITIRANJA
Sarepta Therapeutics, Inc., US	<b>A61K 47/64</b> (2017.01) <b>A61P 21/00</b> (2006.01)	P20240705	OLIGOMERNI KONJUGATI KOJI PRESKAČU EGZON ZA MIŠIČNU DISTROFIJU
Sensonic Design Zrt., HU	<b>H04R 23/02</b> (2006.01) <b>H04R 7/04</b> (2006.01) <b>H04R 9/06</b> (2006.01) <b>H04R 15/00</b> (2006.01)	P20240740	HIBRIDNI UREĐAJ ZA AKUSTIČNO ZRAČENJE ZA VIBRIRANJE TEŠKE KRUTE PLOČE NA AUDIO FREKVENCIJAMA
Shipshave AS, NO	<b>B63B 59/08</b> (2006.01)	P20240711	ROBOT, SUSTAV I METODA PODVODNOG NADZORA I ODRŽAVANJA TRUPA BRODA

Nositelj patenta (73)	MKP (51)	Broj patenta (11)	Naziv izuma (54)
The Children's Hospital of Philadelphia, US	<b>A61K 39/395</b> (2006.01) <b>A61P 35/00</b> (2006.01) <b>C07K 16/18</b> (2006.01) <b>C12P 21/08</b> (2006.01) <b>A61K 47/68</b> (2017.01) <b>A61K 47/69</b> (2017.01) <b>A61K 39/00</b> (2006.01) <b>C07K 16/30</b> (2006.01) <b>A61K 35/17</b> (2015.01) <b>A61K 45/06</b> (2006.01)	P20240714	GLIPIKAN 2 KAO MARKER RAKA I TERAPIJSKI CILJ
The Government of the United States of America as represented by the Secretary of the Department of Health and Human Services, US	<b>A61K 39/395</b> (2006.01) <b>A61P 35/00</b> (2006.01) <b>C07K 16/18</b> (2006.01) <b>C12P 21/08</b> (2006.01) <b>A61K 47/68</b> (2017.01) <b>A61K 47/69</b> (2017.01) <b>A61K 39/00</b> (2006.01) <b>C07K 16/30</b> (2006.01) <b>A61K 35/17</b> (2015.01) <b>A61K 45/06</b> (2006.01)	P20240714	GLIPIKAN 2 KAO MARKER RAKA I TERAPIJSKI CILJ
The Institute of Cancer Research: Royal Cancer Hospital, GB	<b>A61K 31/37</b> (2006.01) <b>A61K 31/573</b> (2006.01) <b>A61P 35/04</b> (2006.01) <b>A61P 35/00</b> (2006.01)	P20240400	DERIVAT KUMARINA, NAMIJENJENI TERAPIJI ILI PROFILAKSI POREMEĆAJA STANIČNE PROLIFERACIJE
The Royal Marsden NHS Foundation Trust, GB	<b>A61K 31/37</b> (2006.01) <b>A61K 31/573</b> (2006.01) <b>A61P 35/04</b> (2006.01) <b>A61P 35/00</b> (2006.01)	P20240400	DERIVAT KUMARINA, NAMIJENJENI TERAPIJI ILI PROFILAKSI POREMEĆAJA STANIČNE PROLIFERACIJE
Turski, Christopher, PL	<b>A61K 31/55</b> (2006.01) <b>A61K 31/675</b> (2006.01) <b>A61K 38/05</b> (2006.01) <b>A61P 27/02</b> (2006.01) <b>A61K 31/683</b> (2006.01)	P20240728	INHIBITORI NEUTRALNE ENDOPEPTIDAZE (NEP) I HUMANE TOPLJIVE ENDOPEPTIDAZE (HSEP) ZA PROFILAKSU I LIJEČENJE BOLESTI OKA
van Cruchten, Guy, BE	<b>A23G 1/00</b> (2006.01) <b>A23G 1/20</b> (2006.01) <b>A23G 1/22</b> (2006.01) <b>A23G 1/50</b> (2006.01)	P20240738	KALUP ZA BILJNE MASTI I NJEGOVA UPORABA
Vapour International d.o.o., HR	<b>A24F 40/40</b> (2020.01) <b>A24F 40/95</b> (2020.01)	P20240692	APARAT ZA STVARANJE PARE ZAGRIJAVANJEM KEMIJSKOG SPOJA ILI DUHANA
Vestjyllands Andel A.m.b.a., DK	<b>G01G 19/40</b> (2006.01) <b>A01K 5/00</b> (2006.01) <b>A01K 29/00</b> (2006.01) <b>G01N 5/04</b> (2006.01) <b>G01N 15/02</b> (2024.01) <b>B07B 1/40</b> (2006.01)	P20240555	UREĐAJ I POSTUPAK ZA PROIZVODNJU HRANE ZA STOKU

# Objava upisa promjena u registru патената

## Promjena adresa/sjedišta nositelja europskih патената

Broj патената (11)	Raniji zapis	Novi zapis	Datum upisa promjene
P20160673	Gnosis S.p.A., Via Lavoratori Autobianchi, 1, 20033 Desio (MB), IT	Gnosis S.p.A., Piazza Filippo Meda 3, 20121 Milano, IT	22.08.2024
P20160773	Gnosis S.p.A., Piazza del Carmine 4, 20121 Milano, IT	Gnosis S.p.A., Piazza Filippo Meda 3, 20121 Milano, IT	22.08.2024
P20170982	Medivation Technologies LLC, 235 East 42nd Street, New York, NY 10017, US	Medivation Technologies LLC, 66 Hudson Boulevard East, New York, NY 10001-2192, US	21.08.2024
P20170982	Medivation Technologies LLC, 525 Market Street, 28th Floor, San Francisco, CA 94105, US	Medivation Technologies LLC, 235 East 42nd Street, New York, NY 10017, US	21.08.2024

## Prijenos prava

Broj патената (11)	Raniji zapis	Novi zapis	Datum upisa promjene
P20160673	Gnosis S.p.A., Piazza Filippo Meda 3, 20121 Milano, IT	LESAFFRE ET COMPAGNIE, 41, rue Etienne Marcel, 75001 Paris, FR	22.08.2024
P20160773	Gnosis S.p.A., Piazza Filippo Meda 3, 20121 Milano, IT	LESAFFRE ET COMPAGNIE, 41, rue Etienne Marcel, 75001 Paris, FR	22.08.2024
P20221538	Neotope Neuroscience Limited, c/o Novo Nordisk Limited, First Floor, Block A, the Crescent Building, Northwood Business Park, Dublin, IE	NOVO NORDISK A/S, Novo Allée1, 2880 Bagsvaerd, DK	21.08.2024
P20221538	Prothena Biosciences Limited, 77 Sir John Rogerson's Quay, Block C, Grand Canal Docklands, D02 VK60 Dublin 2, IE	Neotope Neuroscience Limited, c/o Novo Nordisk Limited, First Floor, Block A, the Crescent Building, Northwood Business Park, Dublin, IE	21.08.2024



# Objava zahtjeva za ponovnu uspostavu prava europskih patenata

Broj patenta (11)	Podnositelj zahtjeva za ponovnu uspostavu prava	Datum primitka zahtjeva za ponovnu uspostavu prava
P20230377	Mirati Therapeutics, Inc., 9393 Towne Centre Drive, Suite 200, San Diego, CA 92121, US Array BioPharma Inc., 3200 Walnut Street, Boulder, CO 80301, US	3.7.2024.

# Objava ponovne uspostave prava europskih patenata

Broj patenta (11)	Podnositelj zahtjeva za ponovnu uspostavu prava	Vrsta rješenja	Datum donošenja rješenja o ponovnoj uspostavi prava
P20230377	Mirati Therapeutics, Inc., 9393 Towne Centre Drive, Suite 200, San Diego, CA 92121, US Array BioPharma Inc., 3200 Walnut Street, Boulder, CO 80301, US		9.8.2024.

# Objava prestanaka vrijednosti europskih патената

Broj патента	MKP	Datum prestanka vrijednosti патента	Patent objavljen u HGIV-u br.	Naziv izuma
(11)	(51)			(54)
P20100523	<b>B65D 83/14</b> (2006.01)	23.01.2024	12/2010	CILINDRIČNA STRUKTURA SASTAVLJENA OD PRAVOKUTNIH ELEMENATA
P20100537	<b>F16K 41/04</b> (2006.01)	02.02.2024	11/2010	ARMATURA VENTILA
P20151108	<b>A61K 48/00</b> (2006.01) <b>C12N 15/113</b> (2010.01) <b>C12N 15/85</b> (2006.01) <b>C07K 14/705</b> (2006.01) <b>C07K 16/28</b> (2006.01)	26.01.2024	24/2015	ANTAGONISTI NOGO-RECEPTORA
P20160922	<b>C07K 7/08</b> (2006.01) <b>C07K 14/16</b> (2006.01) <b>C07K 14/47</b> (2006.01) <b>C12N 15/62</b> (2006.01) <b>A61K 38/16</b> (2006.01)	01.02.2024	21/2016	OLIGOPEPTIDNI SPOJEVI I NJIHOVE UPORABE
P20161009	<b>C07K 14/435</b> (2006.01) <b>A61K 38/00</b> (2006.01)	04.02.2024	22/2016	MODIFICIRANI OMCI KAO INHIBITOR KOMPLEMENTA
P20161299	<b>A61M 5/32</b> (2006.01)	29.01.2024	24/2016	UNIŠTAVANJE INJEKCIJSKE IGLE
P20161650	<b>B65G 59/02</b> (2006.01) <b>B65G 61/00</b> (2006.01) <b>B25J 15/12</b> (2006.01) <b>B65H 3/32</b> (2006.01)	27.01.2024	7/2017	UREĐAJ ZA DEPALETIZACIJU ZA ISTOVAR TERETA S PALETE I POSTUPAK ISTOVARA TERETA S PALETE
P20170062	<b>C12P 7/08</b> (2006.01) <b>A61L 11/00</b> (2006.01) <b>B03B 9/06</b> (2006.01) <b>B09B 3/00</b> (2022.01) <b>B09B 3/45</b> (2022.01) <b>C02F 11/10</b> (2006.01) <b>B02C 17/00</b> (2006.01) <b>F16K 11/00</b> (2006.01)	02.02.2024	5/2017	UREĐAJ I POSTUPAK ZA OBRADU OTPADA
P20170259	<b>C21C 5/56</b> (2006.01) <b>C21C 5/30</b> (2006.01)	23.01.2024	8/2017	POSTUPAK I UREĐAJ ZA KONTINUIRANU PROIZVODNJU RASTALJENOG ČELIKA IZ OTPADNOG METALA
P20171727	<b>A61K 45/06</b> (2006.01) <b>C07D 235/18</b> (2006.01) <b>C07D 235/30</b> (2006.01) <b>C07D 235/14</b> (2006.01) <b>A61K 31/4184</b> (2006.01)	31.01.2024	26/2017	NOVI TERAPEUTICI
P20180190	<b>B01J 20/02</b> (2006.01) <b>B01J 20/06</b> (2006.01) <b>B01J 20/08</b> (2006.01) <b>B01J 20/10</b> (2006.01) <b>B01J 20/16</b> (2006.01) <b>B01J 20/28</b> (2006.01) <b>C10G 25/00</b> (2006.01)	29.01.2024	5/2018	APSORBENSI
P20180342	<b>A61B 5/00</b> (2006.01) <b>A61B 5/11</b> (2006.01) <b>G16Z 99/00</b> (2019.01) <b>G16H 40/63</b> (2018.01)	04.02.2024	7/2018	PRIJENOSNI DIJAGNOSTIČKI SISTEM ZA PRAĆENJE BIOMEDICINSKIH PARAMETARA
P20181341	<b>E05B 19/02</b> (2006.01)	01.02.2024	21/2018	KLJUČ ZA CILINDAR BRAVE
P20191022	<b>A61K 39/395</b> (2006.01) <b>C12N 9/24</b> (2006.01) <b>C07K 16/32</b> (2006.01)	25.01.2024	18/2019	KOMBINIRANA TERAPIJSKA PRIMJENA ANTITIJELA I ENDOGLIKOZIDA ZA
P20192122	<b>H04W 88/18</b> (2009.01) <b>H04W 16/26</b> (2009.01) <b>H04W 84/04</b> (2009.01)	24.01.2024	4/2020	METODA I SUSTAV ZA RASPODJELU PAKETA PODATAKA NA KOMUNIKACIJSKI KANAL I STACIONARNI MODULARNI PRIMOPREDAJNICI ZA IZVOĐENJE METODE I SUSTAVA
P20192220	<b>C07D 471/04</b> (2006.01) <b>A61P 35/00</b> (2006.01) <b>A61K 31/437</b> (2006.01) <b>A61K 31/506</b> (2006.01) <b>A61K 31/501</b> (2006.01)	29.01.2024	5/2020	MODULATORI ESTROGENSKOG RECEPTORA
P20201038	<b>C12N 5/071</b> (2010.01) <b>C12N 5/00</b> (2006.01) <b>A61K 35/28</b> (2015.01) <b>A61P 7/00</b> (2006.01)	02.02.2024	21/2020	POSTUPCI I PRIPRAVCI ZA LIJEČENJE BETA TALASEMIJE

Broj patenta (11)	MKP (51)	Datum prestanka vrijednosti patenta	Patent objavljen u HGIV-u br.	Naziv izuma (54)
P20202002	<b>A23L 13/40</b> (2023.01) <b>A23L 17/00</b> (2016.01) <b>A23L 17/10</b> (2016.01)	26.01.2024	4/2021	PROIZVOD OD MORSKIH PLODOVA OBOGAĆEN KALCIJEM
P20210198	<b>C12Q 1/6886</b> (2018.01)	27.01.2024	8/2021	POSTUPCI DETEKTIRANJA METILIRANJA CPG U DNA DOBIVENE IZ TUMORA U UZORCIMA KRVI
P20210571	<b>A61M 31/00</b> (2006.01) <b>A61K 9/00</b> (2006.01)	01.02.2024	18/2021	UREĐAJI ZA PRIMJENU LIJEKA IN VIVO
P20211219	<b>C07F 5/02</b> (2006.01)	29.01.2024	22/2021	POSTUPAK PRIPRAVE INHIBITORA FOSFODIESTERAZE 4
P20211315	<b>E21C 35/18</b> (2006.01) <b>E21C 35/19</b> (2006.01) <b>E02F 9/28</b> (2006.01)	28.01.2024	24/2021	MOTIKA ZA EKSTRAKCIJU MINERALA, DRŽAČ I KOMBINACIJA
P20211460	<b>A61M 16/00</b> (2006.01) <b>A61M 16/06</b> (2006.01) <b>A61M 16/12</b> (2006.01) <b>A61M 16/20</b> (2006.01) <b>A61M 16/08</b> (2006.01) <b>A61M 16/10</b> (2006.01)	27.01.2024	3/2022	SUSTAVI ZA INHALACIJU TERAPEUTSKIH I DIJAGNOSTIČKIH PLINOVA I METODE NJIHOVE PRIMJENE
P20211496	<b>A61B 18/02</b> (2006.01) <b>A61B 17/00</b> (2006.01) <b>A61B 17/30</b> (2006.01)	03.02.2024	26/2021	UREĐAJI ZA LIJEČENJE OZLJEDA KOŽE
P20211897	<b>E02F 3/36</b> (2006.01)	24.01.2024	5/2022	UREĐAJ ZA PRIČVRŠĆIVANJE PRIKLJUČAKA NA KRAKOVE ROVOKOPAČA
P20220438	<b>A61K 38/09</b> (2006.01) <b>A61P 35/00</b> (2006.01) <b>A61K 9/00</b> (2006.01) <b>A61K 9/06</b> (2006.01) <b>A61K 9/16</b> (2006.01) <b>A61K 47/34</b> (2017.01)	31.01.2024	12/2022	PRIPRAVCI I POSTUPCI ZA DUGOTRAJNO OSLOBAĐANJE ANTAGONISTA GANADOTROPIN OSLOBAĐAJUĆEG HORMONA (GNRH)
P20220474	<b>F16L 21/00</b> (2006.01) <b>F16L 25/14</b> (2006.01)	26.01.2024	12/2022	POBOLJŠANJA ZA ILI U VEZI SA CIJEVNIM SPOJNICAMA
P20220647	<b>E04D 13/155</b> (2006.01)	30.01.2024	13/2022	NADSTREŠNICA
P20230512	<b>A61K 39/00</b> (2006.01) <b>C07K 14/705</b> (2006.01) <b>C07K 14/47</b> (2006.01) <b>C07K 7/06</b> (2006.01) <b>C07K 7/08</b> (2006.01)	26.01.2024	16/2023	NOVI PEPTIDI I KOMBINACIJA PEPTIDA ZA UPORABU U IMUNOTERAPIJI PROTIV KARCINOMA JAJNIKA I DRUGIH KARCINOMA

# Objava podataka iz zahtjeva za izdavanje svjedodžbe

---

- (21) [S20240028A](#) (22) 20.08.2024.  
(43) 30.08.2024.
- (68) [P20211281](#)
- (54) PRIPRAVCI KOJI SADRŽE INZULIN
- (93) EU/1/24/1815, 21.05.2024.,
- (95) **IKODEK INZULIN**
- (71) Novo Nordisk A/S, Novo Allé, 2880 Bagsværd, DK
- (74) Vukmir i suradnici odvjetničko društvo d.o.o., Zagreb, HR
-

# Kazalo proizvoda za koje je podnesen zahtjev za izdavanje svjedodžbi

Broj zahtjeva za izdavanje svjedodžbe (21)	Naziv proizvoda (95)	Datum podnošenja zahtjeva (22)
S20240028A	INSULIN ICODEC (ENG) IKODEK INZULIN (HR)	20.08.2024.

# Kazalo podnositelja zahtjeva za izdavanje svjedodžbi

Podnositelj zahtjeva za izdavanje svjedodžbe (71)	Broj zahtjeva za izdavanje svjedodžbe (21)	Datum podnošenja zahtjeva (22)
Novo Nordisk A/S, DK	S20240028A	20.08.2024.

# Objava podataka o izdavanju svjedodžbe

---

- (11) S20160010  
(21) [S20160010A](#)  
(68) [P20160494](#)  
(54) ANTIGEN-VEZUJUĆI PROTEINI ZA PROPROTEINSKU  
KONVERTAZU SUBTILIZIN KEKSIN TIPA 9 (PCSK9)  
(93) EU/1/15/1016, 21.07.2015.,  
(94) 21.07.2030.  
(95) **EVOLOKUMAB**  
(73) Amgen Inc., One Amgen Center Drive, Thousand Oaks, CA 91320-  
1799, US  
(74) ZMP IP d.o.o., Zagreb, HR
- 

- (11) S20170019  
(21) [S20170019A](#)  
(68) [P20170488](#)  
(54) HUMANA ANTITIJELA S VISOKIM AFINITETOM PREMA PCSK9  
(93) EU/1/15/1031, 25.09.2015.,  
(94) 25.09.2030.  
(95) **ALIROKUMAB**  
(73) Regeneron Pharmaceuticals, Inc., 777 Old Saw Mill River Road,  
Tarrytown, NY 10591, US  
(74) PETOŠEVIĆ d.o.o., Zagreb, HR
- 

- (11) S20240007  
(21) [S20240007A](#)  
(68) [P20120901](#)  
(54) DIAMINOPIRIMIDINI KAO P2X3 I P2X2/3  
(93) EU/1/21/1613, 20.09.2023.,  
(94) 25.02.2030.  
(95) **GEFAPIKSANT, ILI NJEGOVA FARMACEUTSKI PRIHVATLJIVA  
SOL**  
(73) F. Hoffmann - La Roche AG, Grenzacherstrasse 124, 4070 Basel,  
CH  
(74) ZMP IP d.o.o., Zagreb, HR
-

# Objava podataka o produljenju trajanja svjedodžbe

---

---

- (11) S20160010  
(21) [S20160010A](#)  
(68) [P20160494](#)  
(54) ANTIGEN-VEZUJUĆI PROTEINI ZA PROPROTEINSKU KONVERTAZU SUBTILIZIN KEKSIN TIPA 9 (PCSK9)  
(93) EU/1/15/1016, 21.07.2015.,  
(94) 21.01.2031.  
(95) **EVOLOKUMAB**  
(73) Amgen Inc., One Amgen Center Drive, Thousand Oaks, CA 91320-1799, US  
(74) ZMP IP d.o.o., Zagreb, HR
- 
- 

- (11) S20170019  
(21) [S20170019A](#)  
(68) [P20170488](#)  
(54) HUMANA ANTITIJELA S VISOKIM AFINITETOM PREMA PCSK9  
(93) EU/1/15/1031, 25.09.2015.,  
(94) 25.03.2031.  
(95) **ALIROKUMAB**  
(73) Regeneron Pharmaceuticals, Inc., 777 Old Saw Mill River Road, Tarrytown, NY 10591, US  
(74) PETOŠEVIĆ d.o.o., Zagreb, HR
- 
-



# Kazalo proizvoda za koje su izdane svjedodžbe

Broj svjedodžbe (11)	Naziv proizvoda (95)	Datum podnošenja zahtjeva (22)
S20160010	EVOLOKUMAB	02.06.2016.
S20170019	ALIROKUMAB	29.06.2017.
S20240007	GEFAPIKSANT, ILI NJEGOVA FARMACEUTSKI PRIHVATLJIVA SOL	05.03.2024.

# Kazalo proizvoda za koje je produljeno trajanje svjedodžbi

Broj svjedodžbe (11)	Naziv proizvoda (95)	Datum podnošenja zahtjeva za produljenje (22)
S20160010	EVOLOKUMAB	15.03.2023.
S20170019	ALIROKUMAB	04.01.2024.

# Kazalo nositelja svjedodžbi

Nositelj svjedodžbe (73)	Broj svjedodžbe (11)	Datum podnošenja zahtjeva (22)
Amgen Inc., US	S20160010	02.06.2016.
F. Hoffmann - La Roche AG, CH	S20240007	05.03.2024.
Regeneron Pharmaceuticals, Inc., US	S20170019	29.06.2017.

# Kazalo nositelja svjedodžbi za koje je produljeno trajanje

Nositelj svjedodžbe (73)	Broj svjedodžbe (11)	Datum podnošenja zahtjeva za produljenje (22)
Amgen Inc., US	S20160010	15.03.2023.
Regeneron Pharmaceuticals, Inc., US	S20170019	04.01.2024.